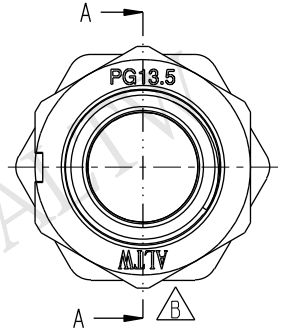
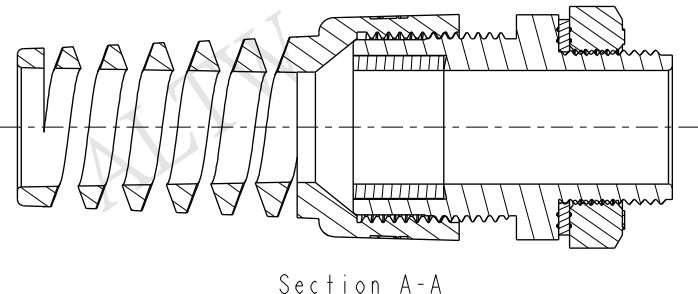
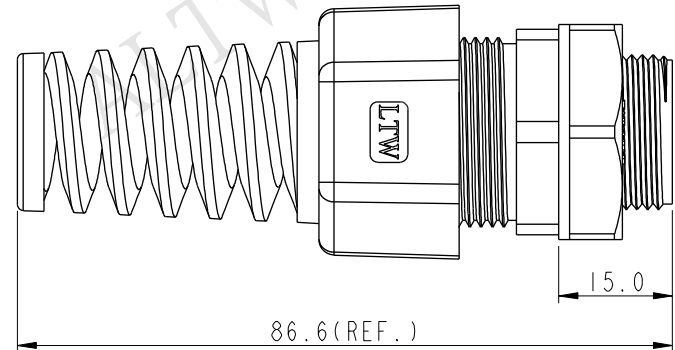
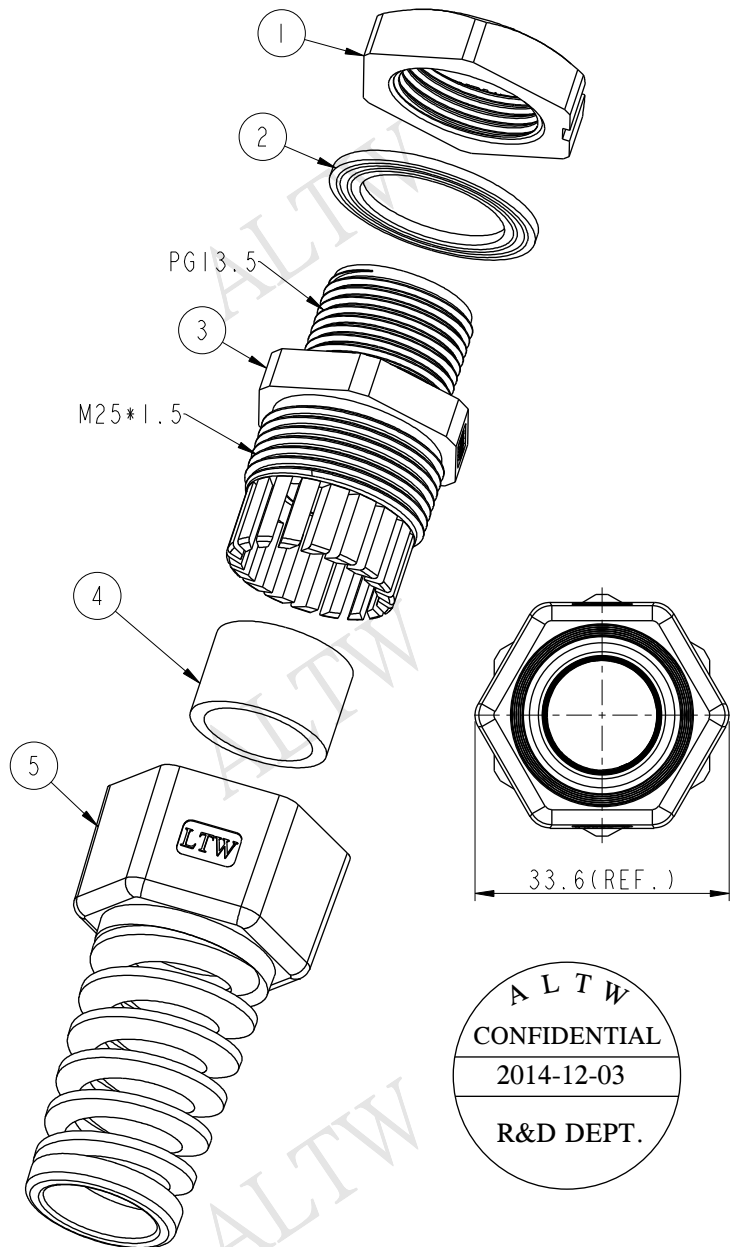


THIS DOCUMENT IS SUBJECT TO CHANGE WITHOUT NOTICE. IT IS CONFIDENTIAL AND A PROPERTY OF Amphenol LTW. DISCLOSURE TO THIRD PARTY HAS TO BE AUTHORIZED BY Amphenol LTW.

| | | | | |
|------|------------|------------|------|-----------------|
| REV. | ECN NO. | DATE | SIGN | DESCRIPTION |
| B | LEN14C0290 | 2014/12/03 | Ruru | Change Nut Logo |
| | | | | |



Note:

- * Waterproof Rate: IP68
- * Screw Nut: Nylon, Gray
- * Clamp Ring: Nylon, Gray
- * Sealing Nut: Nylon, Gray
- * Gasket: EPDM, Black
- * Seals: EPDM, Black
- * Cable Range: $\varnothing 10.0 \sim \varnothing 14.0\text{mm}$
- * For Panel Thickness: 6.2mm max
- * Spanner Size:
 - Body: 27.2mm
 - Sealing Nut: 29.9mm
 - Screw Nut: 28.5mm

| | | | |
|---|----------------|--------------------|------------------------------|
| UNIT: mm | | | TITLE PG13.5 Cable Glands |
| TOLERANCE .X ±0.25 .XX ±0.1 .XXX ±0.05 ANGLES ±1° | SCALE 1:1 | SIZE A4 | SHEET 1 OF 1 |
| REV. B | WC-REV. A.1 | ☉: Inspection item | |

Amphenol LTW
安費諾亮泰企業股份有限公司

| | | |
|------------------------|--------------------|--------------------|
| ITEM NO. CSG-13G004 | DRAWN BY Ruru | DATE 2014-12-03 |
| DWG NO. CSG-13G004 | CHECKED BY Rita | DATE 2014-12-03 |
| CUSTOMER ALTW | APPROVED BY Win | DATE 2014-12-03 |