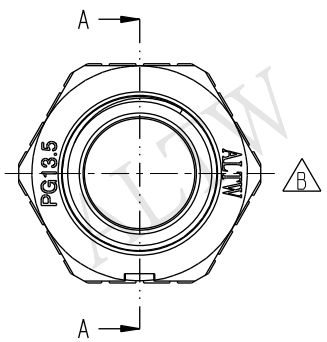
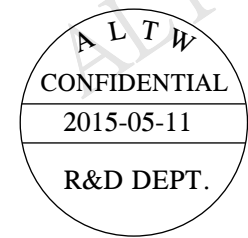
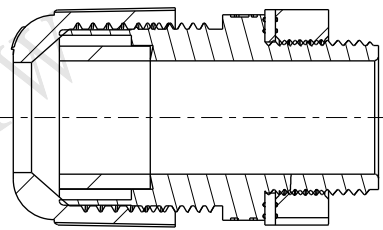
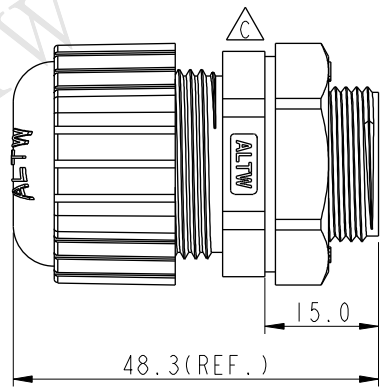
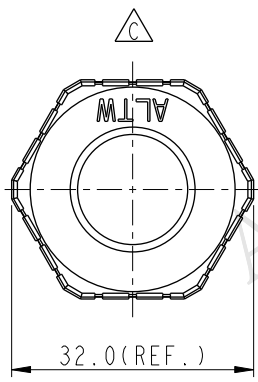
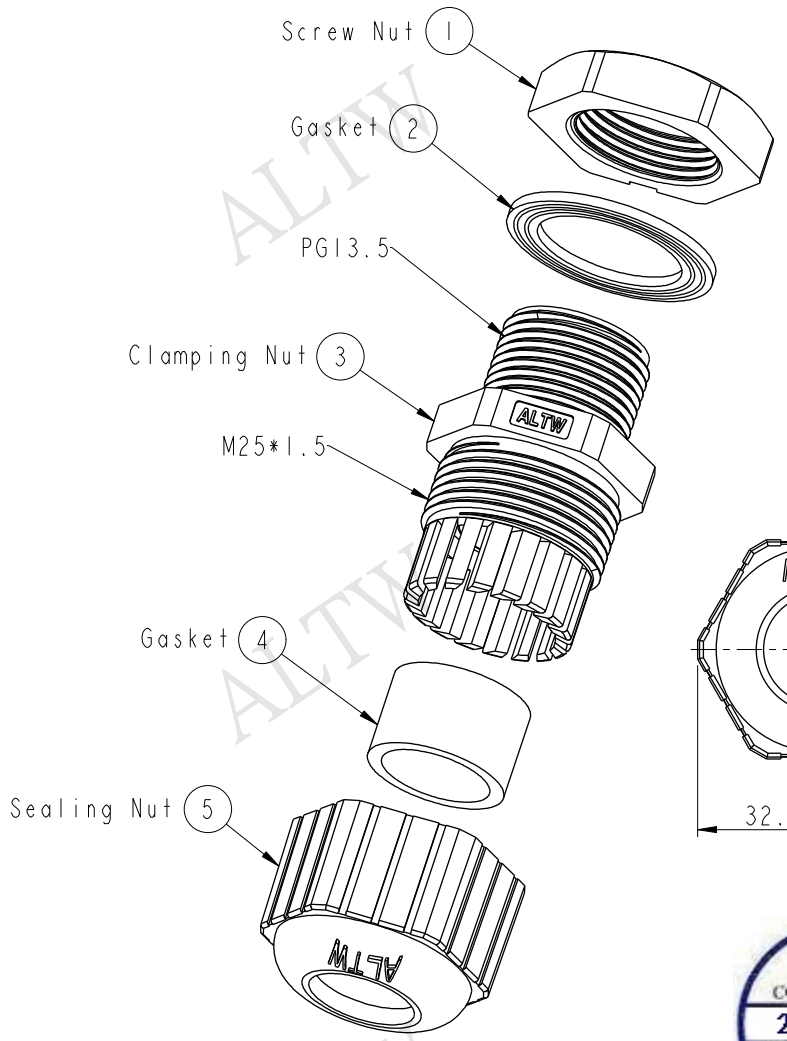


REV.	ECN NO.	DATE	SIGN	DESCRIPTION
B	LEN14C0284	2014/12/02	Ruru	Change Nut Logo
C	LEN1560113	2015/05/11	Ruru	Change Logo



- Note:
- \* Waterproof Rate: IP68
  - \* Screw Nut: Nylon, Black
  - \* Clamp Ring: Nylon, Black
  - \* Sealing Nut: Nylon, Black
  - \* Gasket: EPDM, Black
  - \* Seals: EPDM, Black
  - \* Cable Range:  $\varnothing 10.0 \sim \varnothing 14.0 \text{mm}$
  - \* For Panel Thickness: 6.2mm max
  - \* Spanner Size:  
 Body: 27.2mm  
 Sealing Nut: 29.0mm  
 Screw Nut: 28.5mm

UNIT: mm		
TOLERANCE	.X $\pm 0.25$	
	.XX $\pm 0.1$	
	.XXX $\pm 0.05$	
ANGLES	$\pm 1^\circ$	

TITLE PG13.5 Cable Glands			
SCALE 1:1	SIZE A4	SHEET 1 OF 1	
REV. C	WC-REV. A.1	QC: Inspection item	

**Amphenol LTW**  
安費諾亮泰企業股份有限公司

ITEM NO CSG-13G001	DRAWN BY Ruru	DATE 2015-05-11
DWG NO CSG-13G001	CHECKED BY Rita	DATE 2015-05-11
CUSTOMER ALTW	APPROVED BY Lion	DATE 2015-05-11

THIS DOCUMENT IS SUBJECT TO CHANGE WITHOUT NOTICE. IT IS CONFIDENTIAL AND A PROPERTY OF AMPHENOL LTW. DISCLOSURE TO THIRD PARTY HAS TO BE AUTHORIZED BY AMPHENOL LTW.