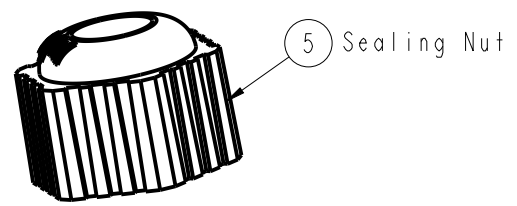
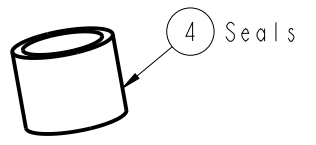


THIS DOCUMENT IS SUBJECT TO CHANGE WITHOUT NOTICE. IT IS CONFIDENTIAL AND A PROPERTY OF AMPHENOL LTW. DISCLOSURE TO THIRD PARTY HAS TO BE AUTHORIZED BY AMPHENOL LTW.

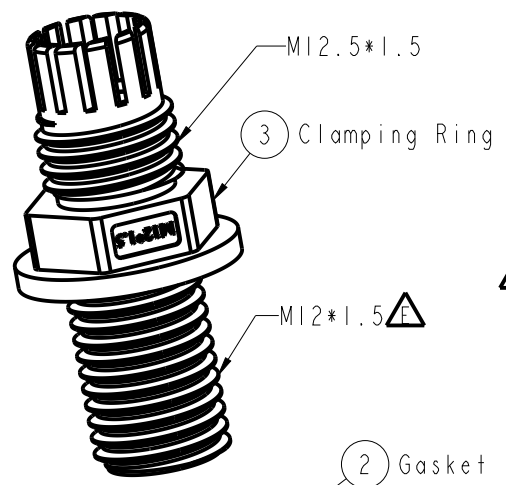
REV.	ECN NO.	DATE	SIGN	DESCRIPTION
D	LEN14C0322	2014/12/10	Ruru	Change Logo
E	LEN1781526	2017/08/28	Ruru	Modify thread size M12*1.25 To M12*1.5
F	CI90091	2019/05/27	Wesley Lin	Change Note



5 Sealing Nut



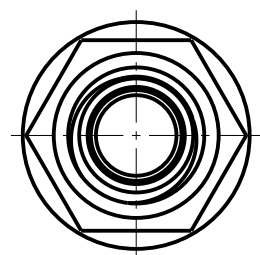
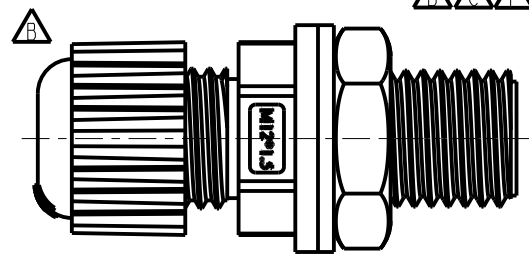
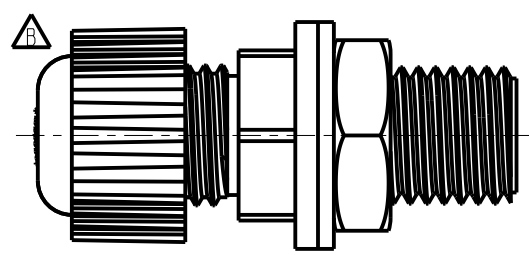
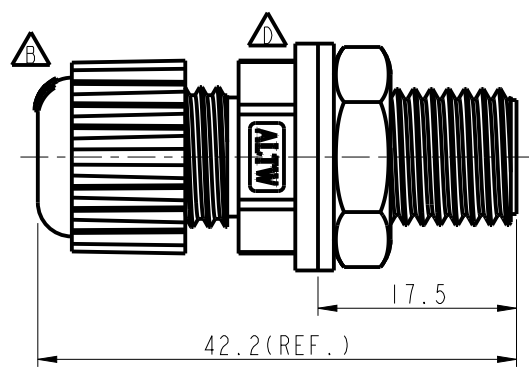
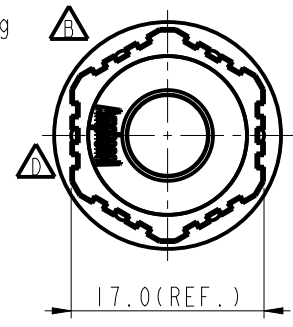
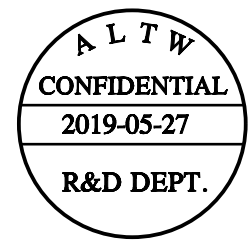
4 Seals



3 Clamping Ring

2 Gasket

1 Nut



- Note:
- * Waterproof Rate: IP68
 - * Screw Nut: Nylon, Black
 - * Clamp Ring: PC
 - * Sealing Nut: PPO
 - * Gasket: Silicone
 - * Seals: Silicone
 - * Cable Range: OD=6.0mm~7.0mm
 - * For Panel Thickness: 3.0mm max
 - * Spanner Size: Body:15.0mm
 - ▲ Sealing Nut:17.0mm
 - ▲ Screw Nut:17.0mm

UNIT:mm	
TOLERANCE	
±0.5 mm	

TITLE M12 Cable Gland			
SCALE 3:2	SIZE A4	SHEET 1 OF 1	
REV. F	WC-REV. A.1	☉: Inspection item	

Amphenol LTW
安費諾亮泰企業股份有限公司

ITEM NO CSG-12M006	DRAWN BY Wesley Lin	DATE 2019-05-27
DWG NO CSG-12M006	CHECKED BY Aric Ko	DATE 2019-05-27
CUSTOMER ALTW	APPROVED BY Max Yang	DATE 2019-05-27