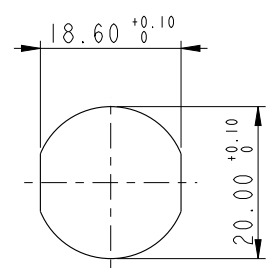
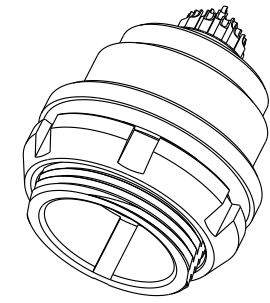
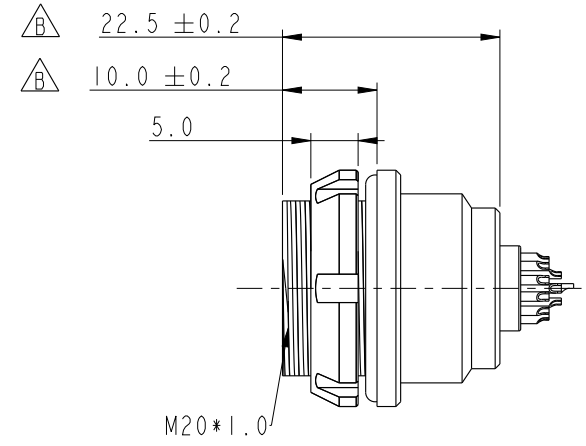
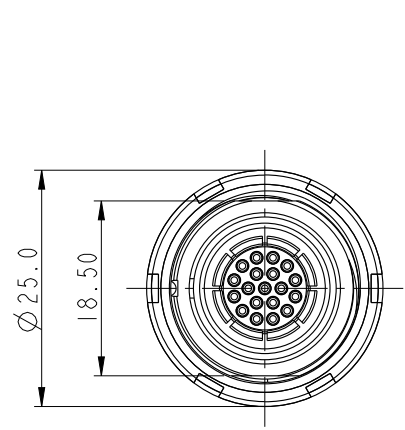
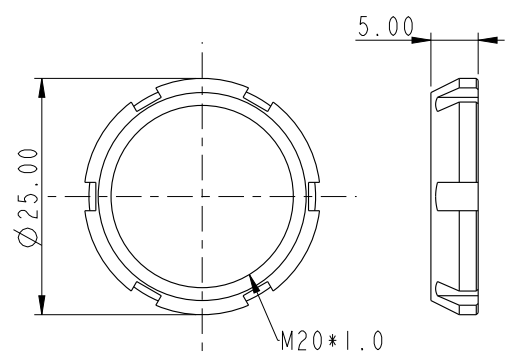


THIS DOCUMENT IS SUBJECT TO CHANGE WITHOUT NOTICE. IT IS CONFIDENTIAL AND A PROPERTY OF Amphenol LTW. DISCLOSURE TO THIRD PARTY HAS TO BE AUTHORIZED BY Amphenol LTW.

REV.	ECN NO.	DATE	SIGN	DESCRIPTION
B	C201591	2020-10-15	Ouyang	$\triangle B$ x2



Recommended  
Panel Cut-Out  
Rear View



- Notes:
- \*  $\text{\textcircled{C}}$  Important Dimensions To Check.
  - \* Female Pin: Copper Alloy, Gold Plated.
  - \* Use Panel Thickness Max: 4.0mm

UNIT: mm		
TOLERANCE	$\pm 0.5\text{mm}$	

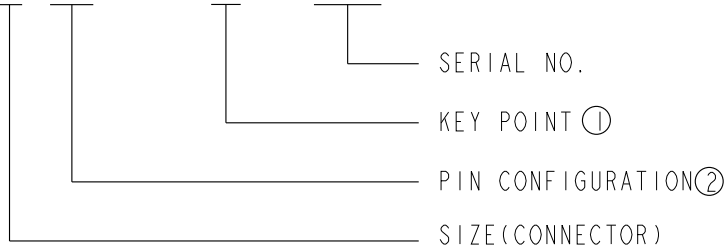
TITLE			
SCALE	SIZE	SHEET	OF
1:1	A4	1	2
REV.	WC-REV.	$\text{\textcircled{C}}$ : Inspection item	
B	.0		

**Amphenol LTW**  
安費諾亮泰企業股份有限公司

ITEM NO.	DRAWN BY	DATE
	Ouyang	2019-05-17
DWG NO.	CHECKED BY	DATE
FLKD-XXEFS-XCP-XXX	Jerry	2019-05-17
CUSTOMER	APPROVED BY	DATE
ALTW	Fred	2019-05-17

THIS DOCUMENT IS SUBJECT TO CHANGE WITHOUT NOTICE. IT IS CONFIDENTIAL AND A PROPERTY OF Amphenol LTW. DISCLOSURE TO THIRD PARTY HAS TO BE AUTHORIZED BY Amphenol LTW.

FLKD-XXEFS-XCP-XXX



KEY POINT						
CODE ①						
	G      A      B      C      D					
	0°      30°      45°      60°      95°					
GRAPHIC						
PIN CONFIGURATION (Solder Definition) ②						
GRAPHIC	 2 PIN	 3 PIN	 4 PIN	 5 PIN	 6 PIN	 7 PIN
	 8 PIN	 10 PIN	 12 PIN	 14 PIN	 16 PIN	 18 PIN

UNIT: mm

TOLERANCE ±0.5mm

TITLE FLO 2K R PANEL CONNECTOR

SCALE 1:1    SIZE A4    SHEET 2 OF 2

REV. B    WC-REV. A.1    : Inspection item

**Amphenol LTW**  
安費諾亮泰企業股份有限公司

ITEM NO. FLKD-XXEFS-XCP-XXX

DWG NO. ALTW

CUSTOMER

DRAWN BY Ouyang

CHECKED BY Jerry

APPROVED BY Fred

DATE 2019-05-17

DATE 2019-05-17

DATE 2019-05-17