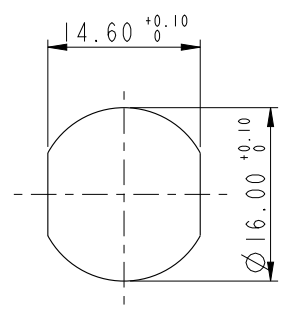
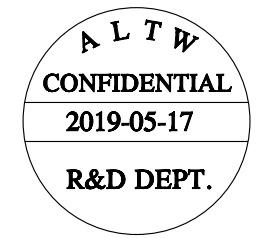
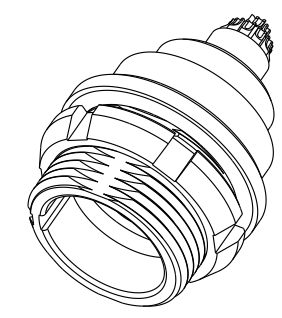
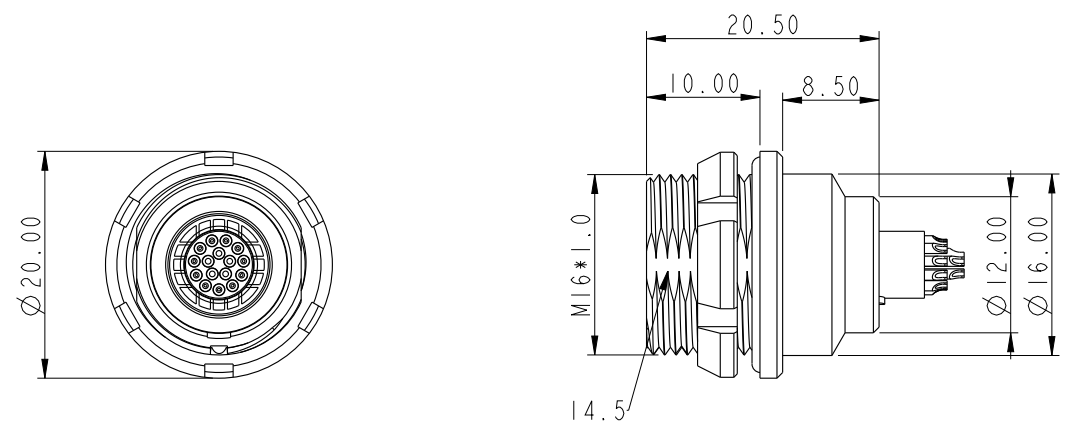
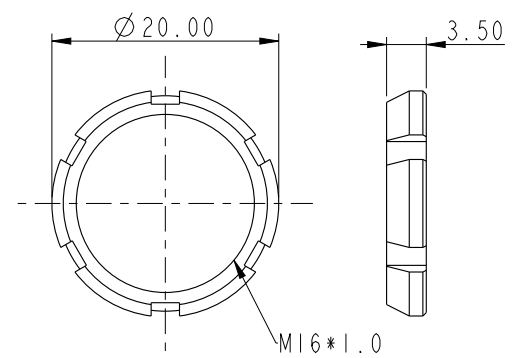


THIS DOCUMENT IS SUBJECT TO CHANGE WITHOUT NOTICE. IT IS CONFIDENTIAL AND A PROPERTY OF AMPHENOL LTW. DISCLOSURE TO THIRD PARTY HAS TO BE AUTHORIZED BY AMPHENOL LTW.

REV.	DESCRIPTION



Recommended Panel Cut-Out Rear View



NUT

- Notes:
- \*  $\varnothing$  Important Dimensions To Check.
  - \* Female Pin: Copper Alloy, Gold Plated.
  - \* Use Panel Thickness Max: 6.0mm

UNIT: mm		
TOLERANCE		
±0.5mm		

TITLE FLO IK R PANEL CONNECTOR			
SCALE 1:1	SIZE A4	SHEET 1 OF 2	
REV. A	WC-REV. A.1	$\varnothing$ : Inspection item	

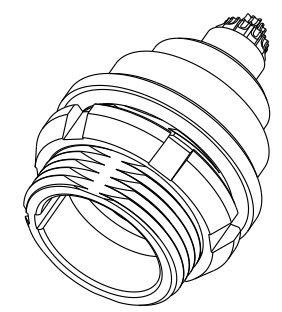
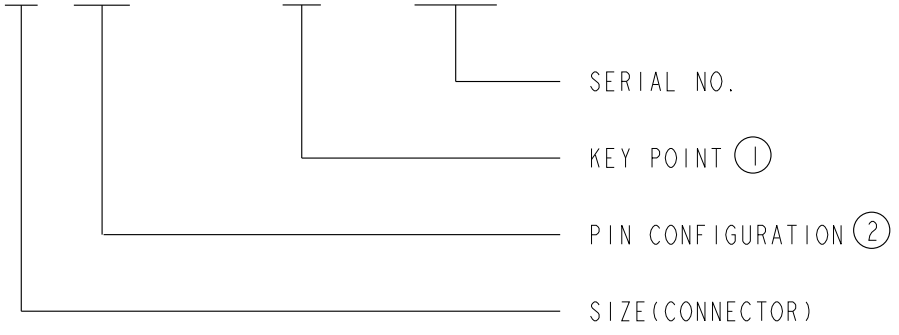
**Amphenol LTW**  
安費諾亮泰企業股份有限公司

ITEM NO	DRAWN BY Ouyang	DATE 2019-05-17
DWG NO FLKC-XXEFS-XCP-XXX	CHECKED BY Jerry	DATE 2019-05-17
CUSTOMER ALTW	APPROVED BY Fred	DATE 2019-05-17

THIS DOCUMENT IS SUBJECT TO CHANGE WITHOUT NOTICE. IT IS CONFIDENTIAL AND A PROPERTY OF Amphenol LTW. DISCLOSURE TO THIRD PARTY HAS TO BE AUTHORIZED BY Amphenol LTW.

REV.	DESCRIPTION

FLKC-XXEFS-XCP-XXX



KEY POINT ①					
CODE	G	A	B	C	D
GRAPHIC	0°	30°	45°	60°	95°

PIN CONFIGURATION (Solder Definition) ②										
GRAPHIC										
	2 PIN	3 PIN	4 PIN	5 PIN	6 PIN	7 PIN	8 PIN	10 PIN	14 PIN	16 PIN

UNIT: mm		
TOLERANCE	±0.5mm	

TITLE FLO IK R PANEL CONNECTOR		
SCALE 1:1	SIZE A4	SHEET 2 OF 2
REV. A	WC-REV. A.1	Inspection item

**Amphenol LTW**  
安費諾亮泰企業股份有限公司

ITEM NO.	DRAWN BY Ouyang	DATE 2019-05-17
DWG NO. FLKC-XXEFS-XCP-XXX	CHECKED BY Jerry	DATE 2019-05-17
CUSTOMER ALTW	APPROVED BY Fred	DATE 2019-05-17