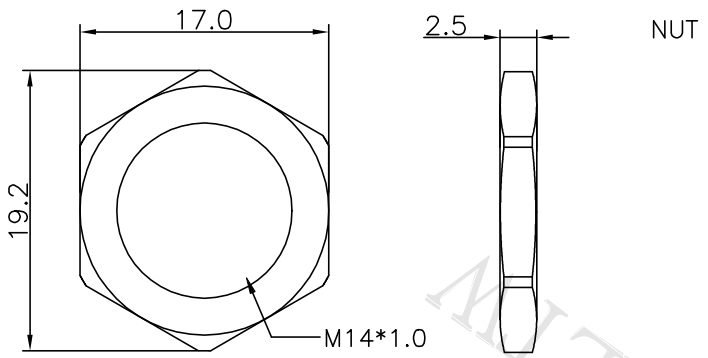
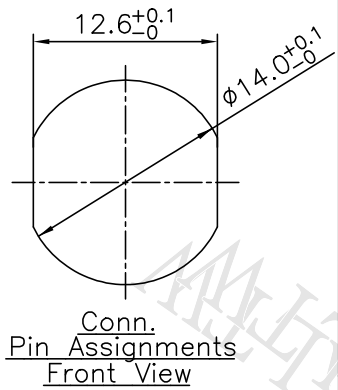
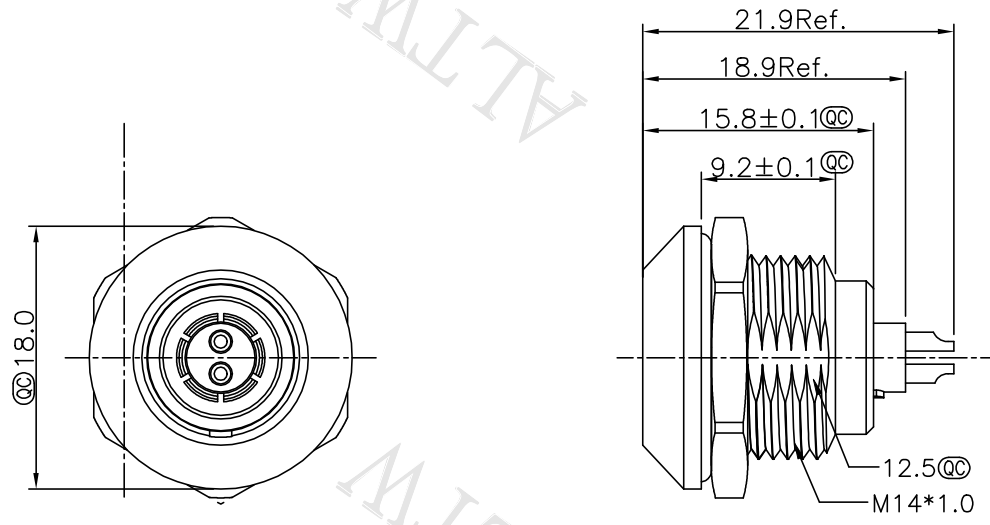


REV.	DESCRIPTION
B	Change Number

THIS DOCUMENT IS SUBJECT TO CHANGE WITHOUT NOTICE. IT IS CONFIDENTIAL AND A PROPERTY OF Amphenol LTW. DISCLOSURE TO THIRD PARTY HAS TO BE AUTHORIZED BY Amphenol LTW.

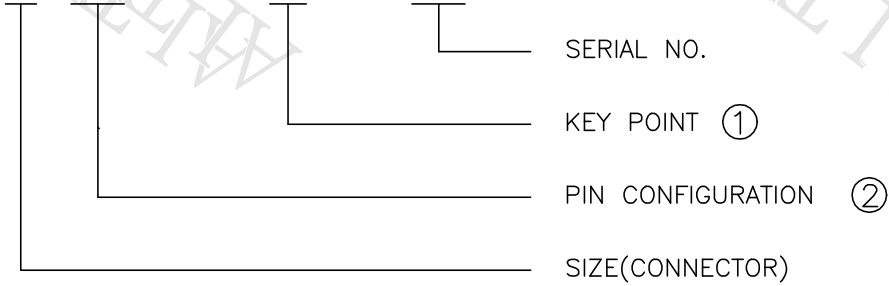


- Notes:
- * QC Important Dimensions To Check.
 - * Waterproof Rate: IP68(Mated)
 - * Female Pin: Copper Alloy, Gold Plated.
 - * Use Panel Thickness Max: 6.0mm

UNIT:mm TOLERANCE $\pm 0.5\text{MM}$	TITLE FLO OK PANEL CONNECTOR		Amphenol LTW 安費諾亮泰企業股份有限公司	ITEM NO $\triangle B$	DRAWN BY Ouyang	DATE 2019/02/25
	SCALE Free	SHEET 1 OF 2		DWG NO FLKB-XXEGFS-XCP-XXX	CHECKED BY Mafei	DATE 2019/02/25
REV. B	SIZE A4	QC : Inspection Item	CUSTOMER ALTW	APPROVED BY Jerry	DATE 2019/02/25	

THIS DOCUMENT IS SUBJECT TO CHANGE WITHOUT NOTICE. IT IS CONFIDENTIAL AND A PROPERTY OF Amphenol LTW. DISCLOSURE TO THIRD PARTY HAS TO BE AUTHORIZED BY Amphenol LTW.

FLKB-XXEGFS-XCP-XXX



KEY POINT

CODE ①	G	A	B	C	D
	0°	30°	45°	60°	95°
GRAPHIC					

PIN CONFIGURATION (Solder Definition) ②

GRAPHIC							
	2 PIN	3 PIN	4 PIN	5 PIN	6 PIN	7 PIN	9 PIN

UNIT:mm TOLERANCE ±0.5MM		TITLE FLO OK PANEL CONNECTOR		Amphenol LTW 安費諾亮泰企業股份有限公司	ITEM NO 	DRAWN BY Ouyang	DATE 2019/02/25
		SCALE Free	SHEET 2 OF 2		DWG NO FLKB-XXEGFS-XCP-XXX	CHECKED BY Mafei	DATE 2019/02/25
		REV. B	SIZE A4		:Inspection Item	CUSTOMER ALTW	APPROVED BY Jerry