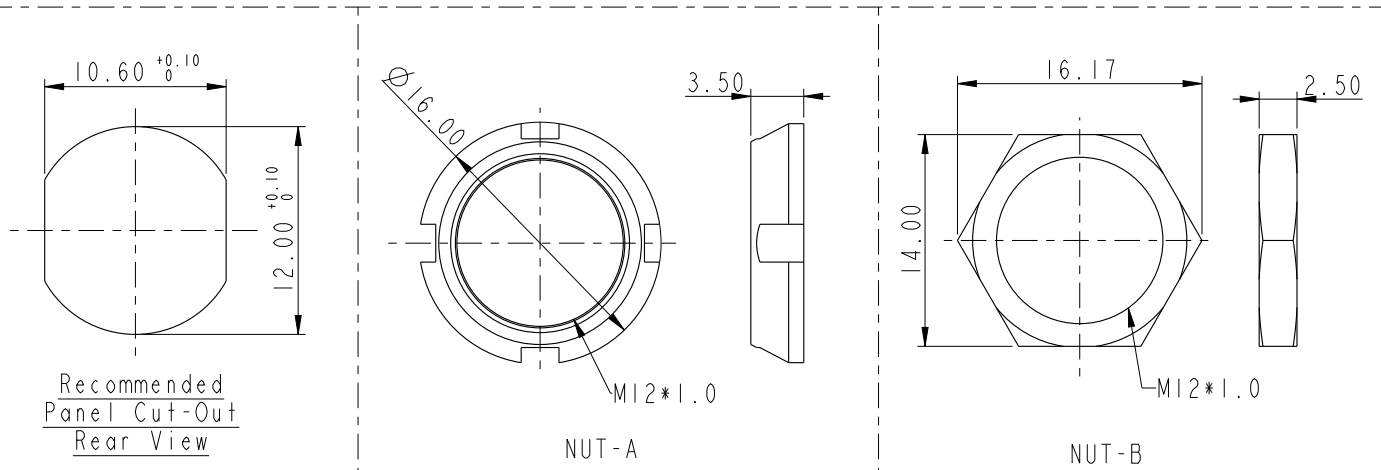
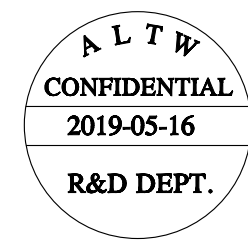
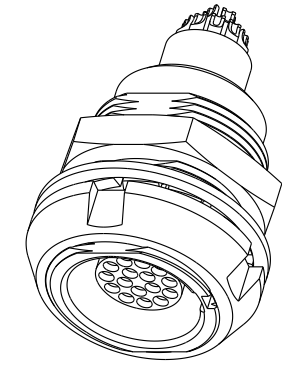
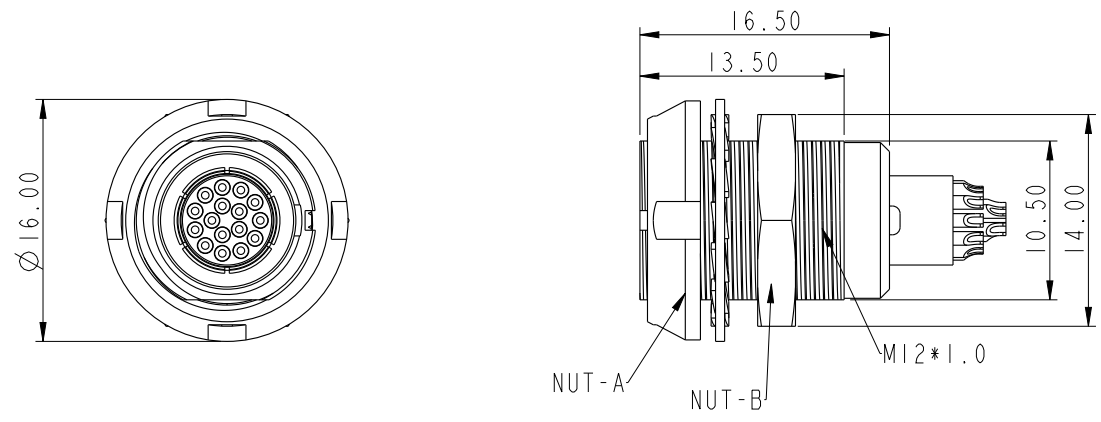


REV.	DESCRIPTION



Notes:
 * Ⓞ Important Dimensions To Check.
 * Female Pin: Copper Alloy, Gold Plated.
 * Use Panel Thickness Max: 5.0mm

UNIT: mm	Ⓞ	Ⓞ
TOLERANCE	$\pm 0.5\text{mm}$	

TITLE FLO 1B TWO NUT CONNECTOR			
SCALE 1:1	SIZE A4	SHEET 1 OF 2	
REV. A	WC-REV. A.1	Ⓞ : Inspection item	

Amphenol LTW
 安費諾亮泰企業股份有限公司

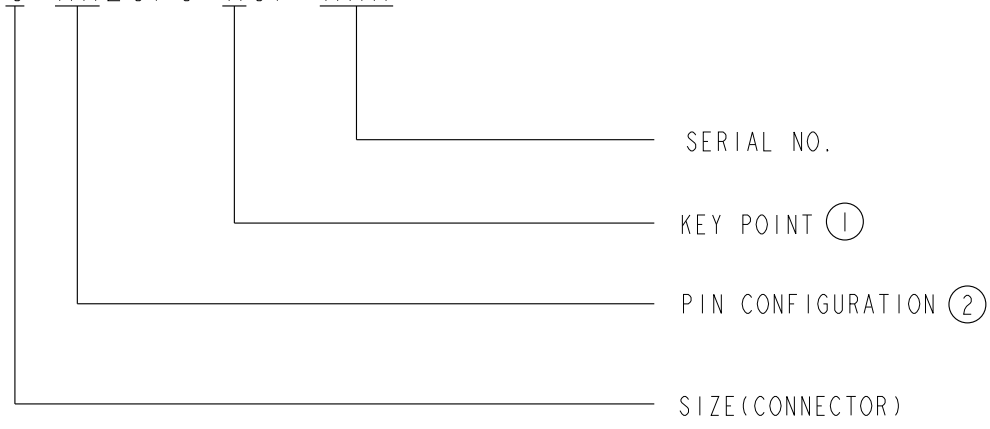
ITEM NO	DRAWN BY Ouyang	DATE 2019-05-16
DWG NO FLBC-XXECFS-XCP-XXX	CHECKED BY Jerry	DATE 2019-05-16
CUSTOMER ALTW	APPROVED BY Fred	DATE 2019-05-16

THIS DOCUMENT IS SUBJECT TO CHANGE WITHOUT NOTICE. IT IS CONFIDENTIAL AND A PROPERTY OF Amphenol LTW. DISCLOSURE TO THIRD PARTY HAS TO BE AUTHORIZED BY Amphenol LTW.

THIS DOCUMENT IS SUBJECT TO CHANGE WITHOUT NOTICE. IT IS CONFIDENTIAL AND A PROPERTY OF AMPHENOL LTW. DISCLOSURE TO THIRD PARTY HAS TO BE AUTHORIZED BY AMPHENOL LTW.

REV.	DESCRIPTION

FLBC-XXECFS-XCP-XXX



KEY POINT ①

CODE	G	A	B	C	J	F
GRAPHIC	0°	30°	60°	90°	45°	155°

PIN CONFIGURATION (Solder Definition) ②

GRAPHIC										
	2 PIN	3 PIN	4 PIN	5 PIN	6 PIN	7 PIN	8 PIN	10 PIN	14 PIN	16 PIN

UNIT: mm		
TOLERANCE		
±0.5mm		

TITLE		
FLO IB TWO NUT CONNECTOR		
SCALE	SIZE	SHEET
1:1	A4	2 OF 2
REV.	WC-REV.	QC
A	A.1	Inspection item

Amphenol LTW
安費諾亮泰企業股份有限公司

ITEM NO.	DRAWN BY	DATE
FLBC-XXECFS-XCP-XXX	Ouyang	2019-05-16
CUSTOMER	CHECKED BY	DATE
ALTW	Jerry	2019-05-16
	APPROVED BY	DATE
	Fred	2019-05-16