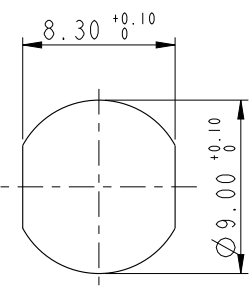
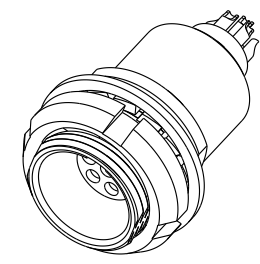
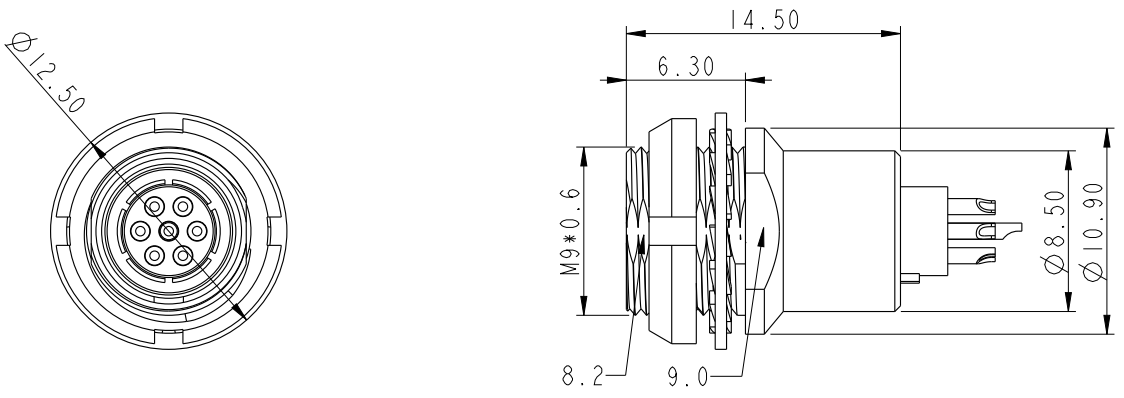
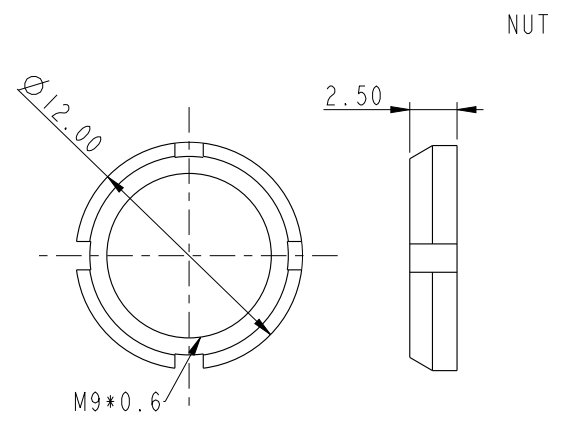


THIS DOCUMENT IS SUBJECT TO CHANGE WITHOUT NOTICE. IT IS CONFIDENTIAL AND A PROPERTY OF Amphenol LTW. DISCLOSURE TO THIRD PARTY HAS TO BE AUTHORIZED BY Amphenol LTW.

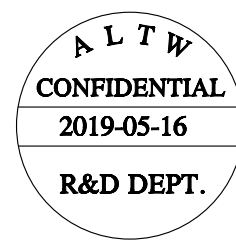
REV.	DESCRIPTION



Recommended
Panel Cut-Out
Rear View



NUT



- Notes:
- * CC Important Dimensions To Check.
 - * Female Pin: Copper Alloy, Gold Plated.
 - * Use Panel Thickness Max: 2.5mm

UNIT: mm		
TOLERANCE		
±0.5mm		

TITLE FLO OB R PANEL CONNECTOR			
SCALE 1:1	SIZE A4	SHEET 1 OF 2	
REV. A	WC-REV. A.1	CC : Inspection item	

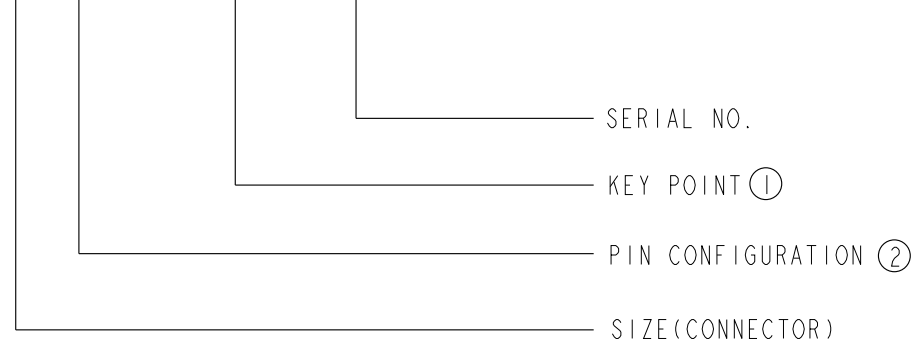
Amphenol LTW
安費諾亮泰企業股份有限公司

ITEM NO	DRAWN BY Ouyang	DATE 2019-05-16
DWG NO FLBB-XXEFS-XCP-XXX	CHECKED BY Jerry	DATE 2019-05-16
CUSTOMER ALTW	APPROVED BY Fred	DATE 2019-05-16

THIS DOCUMENT IS SUBJECT TO CHANGE WITHOUT NOTICE. IT IS CONFIDENTIAL AND A PROPERTY OF Amphenol LTW. DISCLOSURE TO THIRD PARTY HAS TO BE AUTHORIZED BY Amphenol LTW.

REV.	DESCRIPTION

FLBB-XXEFS-XCP-XXX



KEY POINT ①

CODE	G	A	B	C	J	F
	0°	30°	60°	90°	45°	155°
GRAPHIC						

PIN CONFIGURATION (Solder Definition) ②

GRAPHIC							
	2 PIN	3 PIN	4 PIN	5 PIN	6 PIN	7 PIN	9 PIN

UNIT:mm		
TOLERANCE	±0.5mm	

TITLE FLOOR PANEL CONNECTOR		
SCALE 1:1	SIZE A4	SHEET 2 OF 2
REV. A	WC-REV. A.1	QC: Inspection item

Amphenol LTW
安費諾亮泰企業股份有限公司

ITEM NO	DRAWN BY Ouyang	DATE 2019-04-10
DWG NO FLBB-XXEFS-XCP-XXX	CHECKED BY Jerry	DATE 2019-04-10
CUSTOMER ALTW	APPROVED BY Fred	DATE 2019-04-10