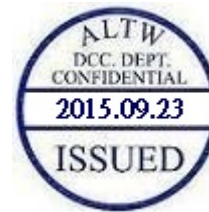
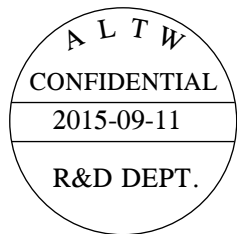
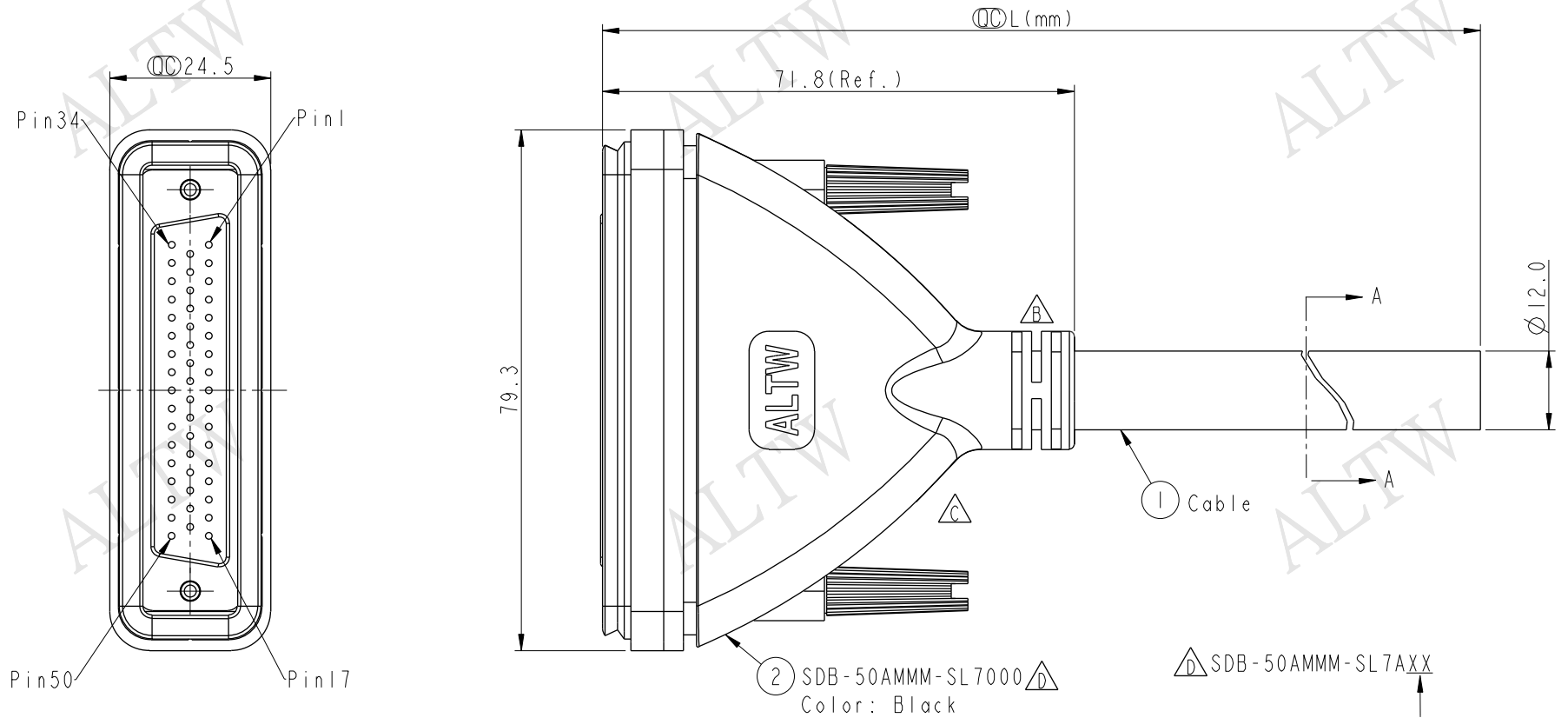


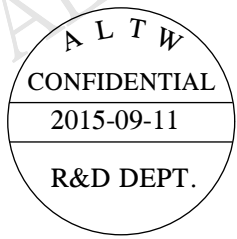
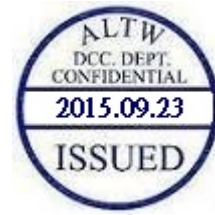
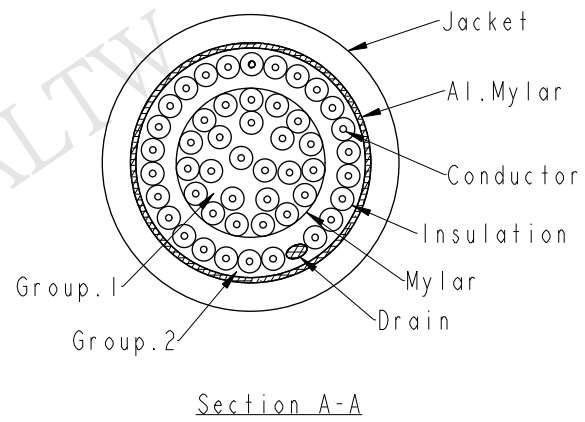
REV.	ECN NO.	DATE	SIGN	DESCRIPTION
B	LEN-960036-039	2009/03/12	Li Xiu Zhi	Change SR
C	LEN1570120-124	2015/06/29	Jason.Yu	Change LOGO
D	LEN1590466-470	2015/09/11	Vicky	REF. TO ECR/N.NOTE



△ SDB-50AMMM-SL7AXX
 XX : 01~99 Meters
 01 : 01 Meter
 02 : 02 Meters
 ...
 99 : 99 Meters
 Cable Length(L): 01~99 Meters

A	UNIT:mm	TITLE D-SUB CONN. CABLE SCREW DB50P M CONN M PIN		Amphenol LTW 安費諾亮泰企業股份有限公司	ITEM NO	DRAWN BY Vicky	DATE 2015-09-11	
	TOLERANCE ±0.5 mm	SCALE 1:1	SIZE A4		SHEET 1 OF 2	DWG NO SDB-50AMMM-SL7AXX	CHECKED BY Rita	DATE 2015-09-11
	REV. D	WC-REV. A.1	QC: Inspection item		CUSTOMER ALTW	APPROVED BY Lion	DATE 2015-09-11	

THIS DOCUMENT IS SUBJECT TO CHANGE WITHOUT NOTICE. IT IS CONFIDENTIAL AND A PROPERTY OF Amphenol LTW. DISCLOSURE TO THIRD PARTY HAS TO BE AUTHORIZED BY Amphenol LTW.



		Shell	Drain	地線
25	Pink/Black 粉紅/黑	50	Pink/Black 粉紅/黑	
24	Gray/Black 灰/黑	49	Gray/Black 灰/黑	
23	Green/Black 綠/黑	48	Green/Black 綠/黑	
22	Yellow/Black 黃/黑	47	Yellow/Black 黃/黑	
21	Orange/Black 橙/黑	46	Orange/Black 橙/黑	
20	Red/Black 紅/黑	45	Red/Black 紅/黑	
19	Purple/White 紫/白	44	Purple/White 紫/白	
18	Blue/White 藍/白	43	Blue/White 藍/白	
17	Green/White 綠/白	42	Green/White 綠/白	
16	Orange/White 橙/白	41	Orange/White 橙/白	
15	Red/White 紅/白	40	Red/White 紅/白	
14	Brown/White 棕/白	39	Brown/White 棕/白	
13	Black/White 黑/白	38	Black/White 黑/白	
12	Light Green 淺綠	37	Light Green 淺綠	
11	Pink 粉紅	36	Pink 粉紅	
10	White 白	35	White 白	
9	Gray 灰	34	Gray 灰	
8	Purple 紫	33	Purple 紫	
7	Blue 藍	32	Blue 藍	
6	Green 綠	31	Green 綠	
5	Yellow 黃	30	Yellow 黃	
4	Orange 橙	29	Orange 橙	
3	Red 紅	28	Red 紅	
2	Brown 棕	27	Brown 棕	
1	Black 黑	26	Black 黑	
Conn.	Wire Color	Conn.	Wire Color	
Group1 Pin Out		Group2 Pin Out		

- Note:
- * QC Important Dimension.
 - * Waterproof Rate: IP67
 - * Housing: ABS, Black
 - * \triangle Male Pin: Copper Alloy, Gold Plated
 - * Gasket: EPDM, Black
 - * Screw: Steel, Nickel Plated
 - * Cable: UL2464 (24AWG*25C+My)+24AWG*25C+Drain+Al/My, PVC Jacket, UV Resistant, OD=12.0, Black
 - * Cable Length Tolerance: 01M:±40mm
02M~05M:±60mm
06M~10M:±100mm
11M~30M:±200mm
31M~99M:±500mm

UNIT:mm		TITLE D-SUB CONN. CABLE SCREW DB50P M CONN M PIN	
TOLERANCE	± 0.5 mm	SCALE 1:4	SIZE A4
		REV. D	SHEET 2 OF 2
		WC-REV. A.1	QC : Inspection item

Amphenol LTW
安費諾亮泰企業股份有限公司

ITEM NO	DRAWN BY Vicky	DATE 2015-09-11
DWG NO SDB-50AMMM-SL7AXX	CHECKED BY Rita	DATE 2015-09-11
CUSTOMER ALTW	APPROVED BY Lion	DATE 2015-09-11