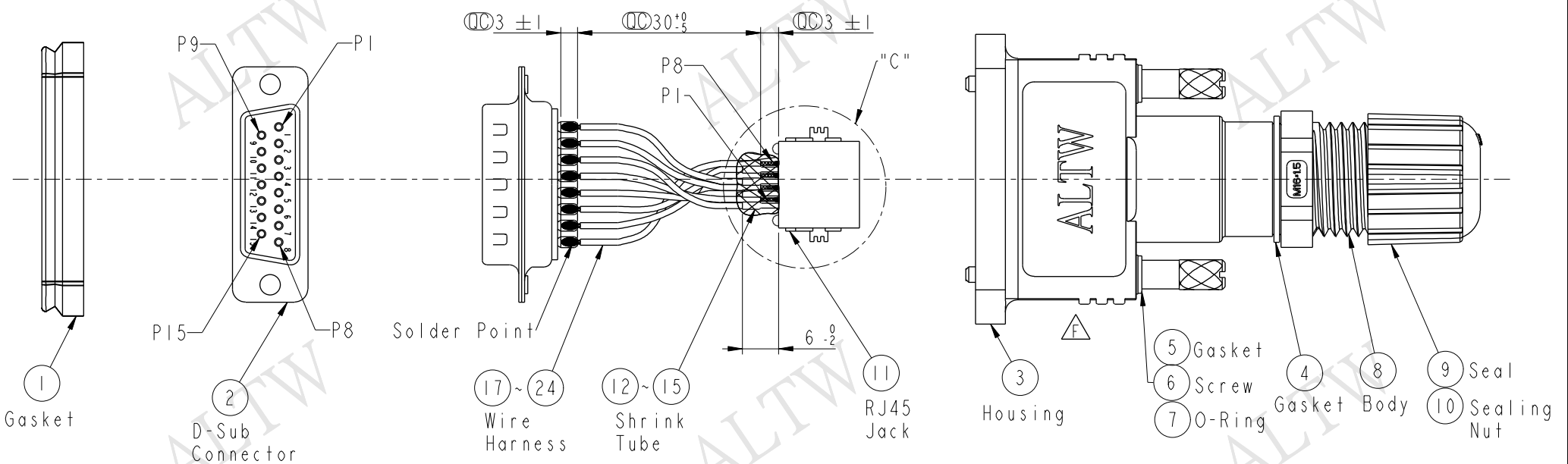
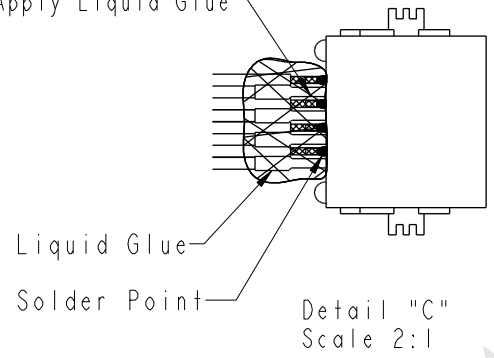


REV.	ECN NO.	DATE	SIGN	DESCRIPTION
D	LEN1350185	2013/05/15	Vicky	Modify Note.
E	LE31510024	2014/12/27	Lu Di	Modify Note.
F	LEN1520161	2015/01/27	Ruru	Change Logo



ALTW
 CONFIDENTIAL
 2015-01-27
 R&D DEPT.

ALTW
 DCC. DEPT.
 CONFIDENTIAL
 2015.02.10
 ISSUED



UNIT: mm		
TOLERANCE	.X	± 0.25
	.XX	± 0.1
	.XXX	± 0.05
ANGLES		$\pm 1^\circ$

TITLE DB-15HMMC-180 With RJ45 Jack Soldered To D-Sub Inside The Housing		
SCALE	SIZE	SHEET OF
1:1	A4	1 OF 3
REV.	WC-REV.	QC
F	C.3	QC: Inspection item

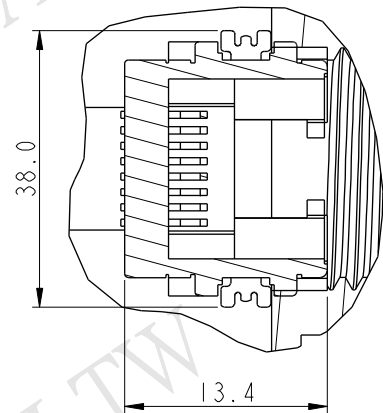
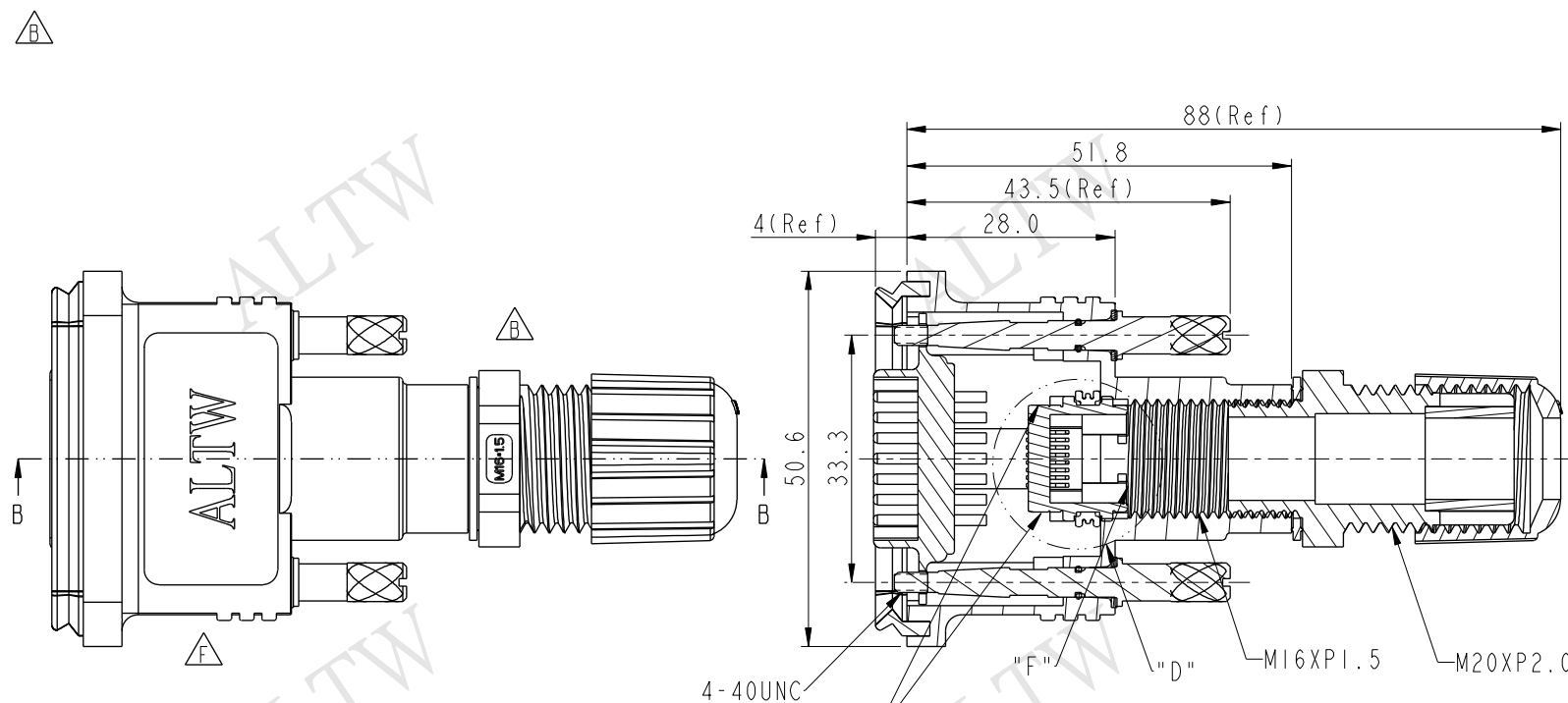
Amphenol LTW
 安費諾亮泰企業股份有限公司

ITEM NO.	SDB-15BMMA-SJ7001	DRAWN BY	Ruru	DATE	2015-01-27
DWG NO.	SDB-15BMMA-SJ7001	CHECKED BY	Rita	DATE	2015-01-27
CUSTOMER	ALTW	APPROVED BY	Win	DATE	2015-01-27

THIS DOCUMENT IS SUBJECT TO CHANGE WITHOUT NOTICE. IT IS CONFIDENTIAL AND A PROPERTY OF Amphenol LTW. DISCLOSURE TO THIRD PARTY HAS TO BE AUTHORIZED BY Amphenol LTW.

THIS DOCUMENT IS SUBJECT TO CHANGE WITHOUT NOTICE. IT IS CONFIDENTIAL AND A PROPERTY OF Amphenol LTW. DISCLOSURE TO THIRD PARTY HAS TO BE AUTHORIZED BY Amphenol LTW.

ALTW
 DCC. DEPT.
 CONFIDENTIAL
 2015.02.10
 ISSUED

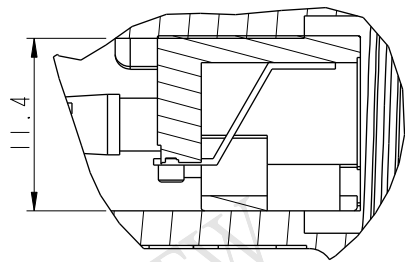
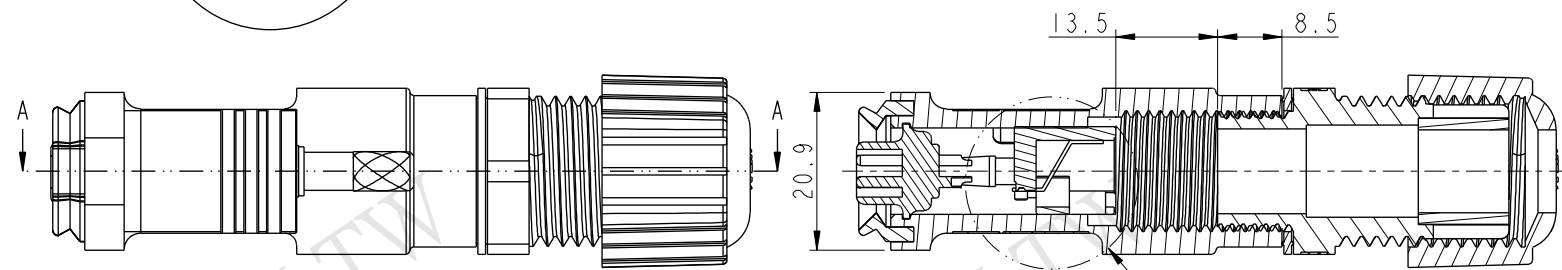


Detail "D"
Scale 2:1

△ 此兩處須點熱膠，以固定 RJ-45，點膠前須確認 RJ-45 以平貼於 HOUSING "F" 處平面，方可點膠。

Section A-A

ALTW
 CONFIDENTIAL
 2015.01.27
 R&D DEPT.



Detail "E"
Scale 2:1

Section B-B

UNIT: mm		
TOLERANCE		
.X	±0.25	
.XX	±0.1	
.XXX	±0.05	
ANGLES	±1°	

TITLE DB-15HMMC-180 With RJ45 Jack Soldered To D-Sub Inside The Housing			
SCALE	SIZE	SHEET	OF
1:1	A4	2	3
REV.	WC-REV.	QC: Inspection item	
F	C.3		

Amphenol LTW
 安費諾亮泰企業股份有限公司

ITEM NO	SDB-15BMMA-SJ7001
DWG NO	SDB-15BMMA-SJ7001
CUSTOMER	ALTW

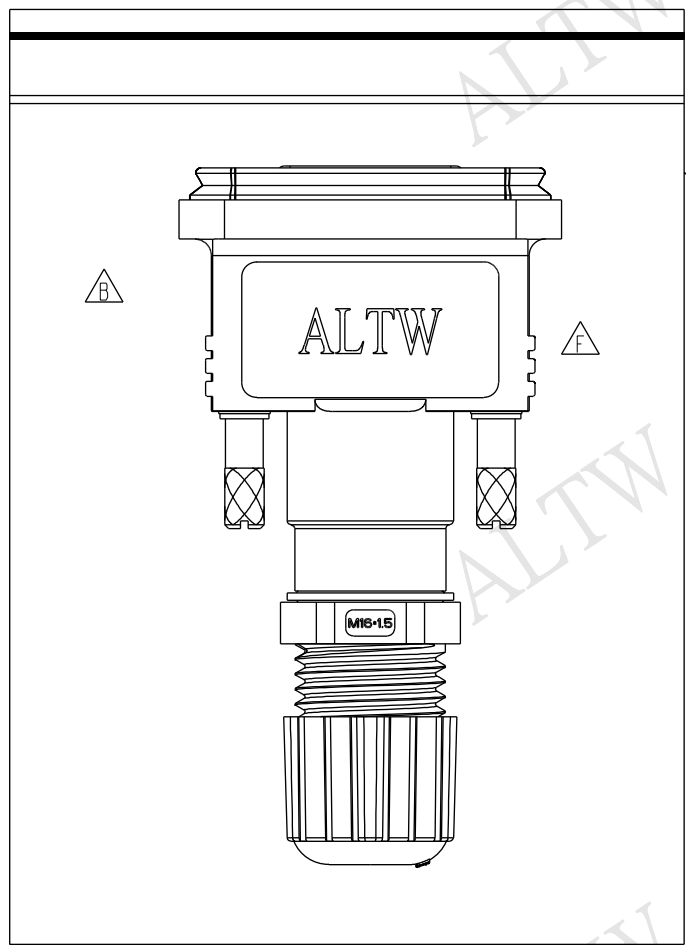
DRAWN BY	Ruru
CHECKED BY	Rita
APPROVED BY	Win

DATE	2015-01-27
DATE	2015-01-27
DATE	2015-01-27

THIS DOCUMENT IS SUBJECT TO CHANGE WITHOUT NOTICE. IT IS CONFIDENTIAL AND A PROPERTY OF Amphenol LTW. DISCLOSURE TO THIRD PARTY HAS TO BE AUTHORIZED BY Amphenol LTW.

ALTW
DCC. DEPT.
CONFIDENTIAL
2015.02.10
ISSUED

ALTW
CONFIDENTIAL
2015-01-27
R&D DEPT.



16 After Assembly

△ Note:

- * Ⓞ Important Dimension To Check.
- * Waterproof Rate: IP67.
- * Gasket: EPDM, Black.
- * Connector: D-SUB 15Pin Male.
- * Housing: ABS, Black
- * Screw: 4-40UNC, Brass.
- * O-Ring: Silicone, Clear.
- * Body: Nylon, Black.
- * Seals: EPDM, Black.
- * Sealing Nut: Nylon, Black.
- * RJ45 Jack.
- * Wire Harness: UL1007 26AWG, 8Pcs
- * ⚠⚠⚠ Seals For Cable OD: $\varnothing 6.0\text{mm} \sim \varnothing 10.0\text{mm}$

8	Orange	橘	8
7	Yellow	黃	7
6	Gray	灰	6
1	Red	紅	5
2	Green	綠	4
5	Blue	藍	3
4	White	白	2
3	Black	黑	1
D-SUB 15P	Wire Color	Jack 8P	
Pin Out			

UNIT:mm			TITLE DB-15HMMC-180 With RJ45 Jack Soldered To D-Sub Inside The Housing
TOLERANCE .X ±0.25 .XX ±0.1 .XXX ±0.05 ANGLES ±1°	SCALE 1:1	SIZE A4	SHEET 3 OF 3
	REV. F	WC-REV. C.3	Ⓞ: Inspection item

Amphenol LTW
安費諾亮泰企業股份有限公司

ITEM NO SDB-15BMMA-SJ7001	DRAWN BY Ruru	DATE 2015-01-27
DWG NO SDB-15BMMA-SJ7001	CHECKED BY Rita	DATE 2015-01-27
CUSTOMER ALTW	APPROVED BY Win	DATE 2015-01-27