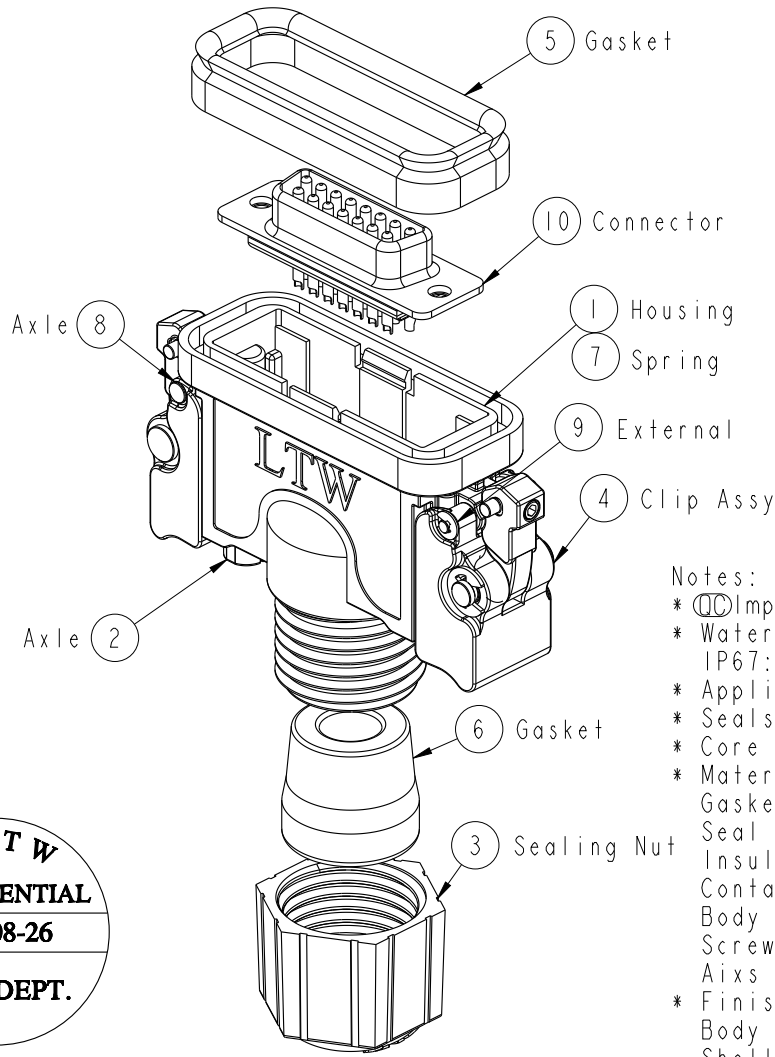
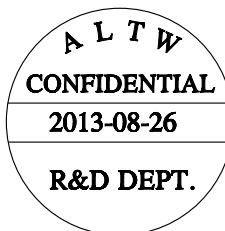
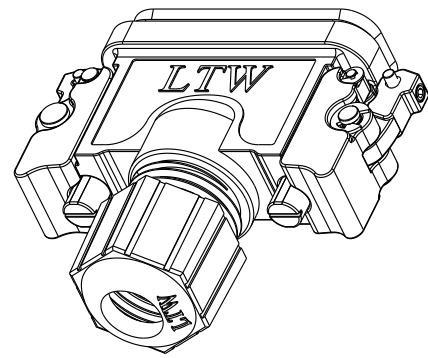
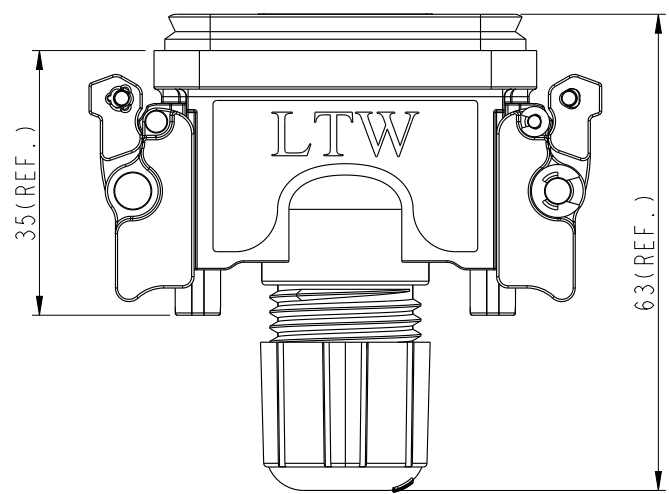
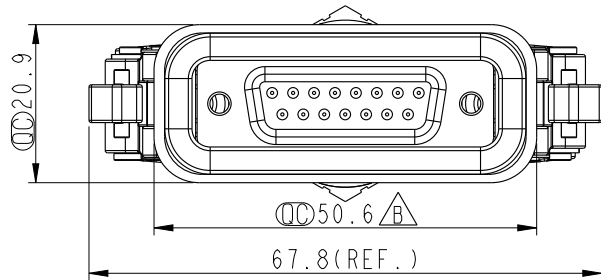


REV.	ECN NO.	DATE	SIGN	DESCRIPTION
B	LEN1390067	2013/08/26	Tony_leng	Change 50.7 To 50.6



- Notes:
- * \varnothing Important Dimension.
 - * Waterproof Rate : IP67
IP67: 1M of depth of water 30 Min.
 - * Applicable Wire Range: 22AWG-26AWG
 - * Seals for Cable OD: \varnothing 6.0mm- \varnothing 8.0mm
 - * Core Color: Black
 - * Materials:
 - Gasket : Silicone, Black
 - Seal : Silicone, Black
 - Insulator : PBT
 - Contact : Copper Alloy
 - Body : Zinc
 - Screw : Stainless
 - Aixs and Buckle : Stainless
 - * Finishes:
 - Body : Nickel Plated
 - Shell : Nickel Plated
 - Contact : Gold Flash

UNIT : mm		TITLE D-SUB CONN ASSY QUICK DB15P M CONN M PIN
TOLERANCE		SCALE 1:1 SIZE A4 SHEET 1 OF 1
.X ±0.25		REV. B WC-REV. A.2 \varnothing : Inspection item
.XX ±0.1		
.XXX ±0.05		
ANGLES ±1°		

Amphenol LTW
安費諾亮泰企業股份有限公司

ITEM NO SDB-15BMMA-QL7001	DRAWN BY SamChang	DATE 2013-08-26
DWG NO SDB-15BMMA-QL7001	CHECKED BY Yulong	DATE 2013-08-26
CUSTOMER ALTW	APPROVED BY Victor	DATE 2013-08-26

THIS DOCUMENT IS SUBJECT TO CHANGE WITHOUT NOTICE. IT IS CONFIDENTIAL AND A PROPERTY OF AMPHENOL LTW. DISCLOSURE TO THIRD PARTY HAS TO BE AUTHORIZED BY AMPHENOL LTW.