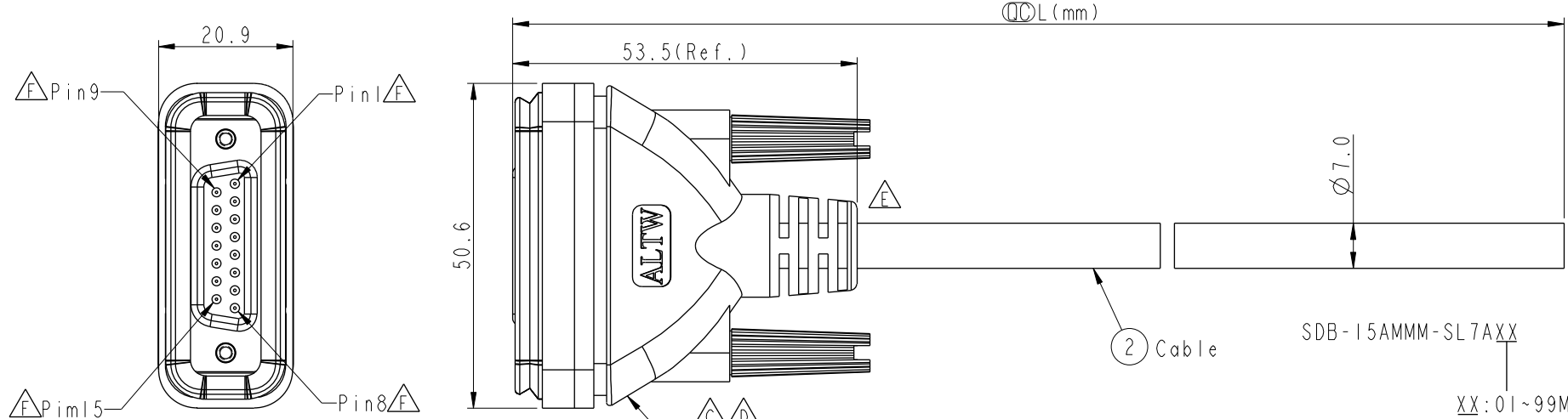


THIS DOCUMENT IS SUBJECT TO CHANGE WITHOUT NOTICE. IT IS CONFIDENTIAL AND A PROPERTY OF Amphenol LTW. DISCLOSURE TO THIRD PARTY HAS TO BE AUTHORIZED BY Amphenol LTW.

REV.	ECN NO.	DATE	SIGN	DESCRIPTION
D	LEN1530116-119	2015/02/10	Ruru	Change Logo
E	LEN1681361-364	2016/08/05	Joyy	Modify The SR & Note
F	LEN1780001-004	2017/07/28	Ruru	Change Pin Out



SDB-15AMMM-SL7AXX  
 XX: 01~99Meter  
 01: 01 Meter  
 02: 02 Meter  
 ...  
 99: 99Meters  
 Cable Length(L): 01~99Meters

Shell	Drain	地線
15	Red/White	紅/白
14	Brown/White	棕/白
13	Black/White	黑/白
12	Light Green	淺綠
11	Purple	紫
10	Orange	橘
9	Black	黑
8	Red	紅
7	Pink	粉紅
6	Gray	灰
5	Yellow	黃
4	Green	綠
3	White	白
2	Blue	藍
1	Brown	棕
Conn.	Wire Color	
		Pin Out



- Note:**
- \*  $\varnothing$  Important Dimension.
  - \* Waterproof Rate: IP67
  - \* Housing: ABS, Black
  - \* Female Pin: Copper Alloy, Gold Plated.
  - \* Gasket: EPDM, Black
  - \* Screw: Steel, Nickel Plated.
  - \* Cable: UL2464 24AWG\*15C+Drain+Al/My, PVC Jacket (UV Resistant), OD=7.0mm, Black.
  - \* Cable Length Tolerance:
    - 01M: ±40mm
    - 02M~05M: ±60mm
    - 06M~10M: ±100mm
    - 11M~30M: ±200mm
    - 31M~99M: ±500mm

UNIT:mm	
TOLERANCE	± 0.5mm

TITLE D-Sub Conn. Cable Screw 15P M Conn M Pin			
SCALE 1:2	SIZE A4	SHEET 1 OF 1	
REV. F	WC-REV. A.1	$\varnothing$ : Inspection item	

**Amphenol LTW**  
 安費諾亮泰企業股份有限公司

ITEM NO	DRAWN BY Ruru	DATE 2017-07-28
DWG NO SDB-15AMMM-SL7AXX	CHECKED BY Rita	DATE 2017-07-28
CUSTOMER ALTW	APPROVED BY Max	DATE 2017-07-28