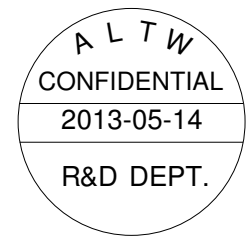
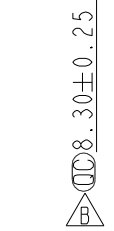
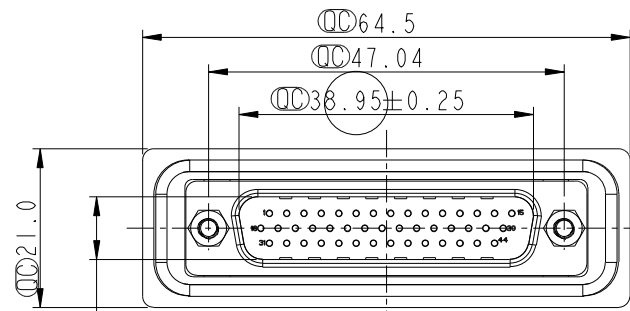
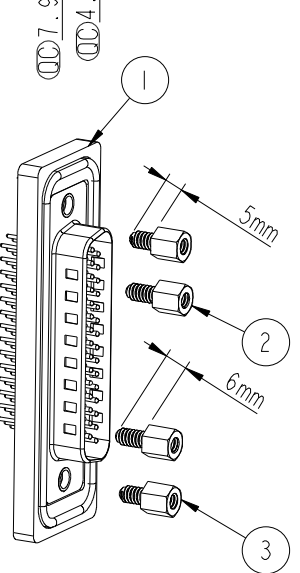
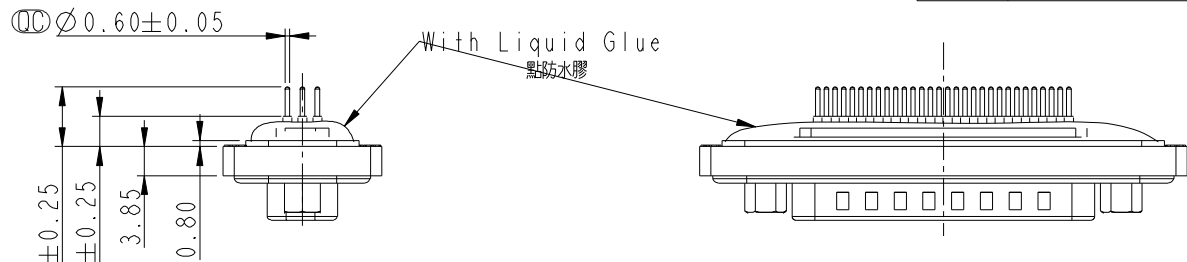


REV.	ECN NO.	DATE	SIGN	DESCRIPTION
B	LEN1390037	2013-05-14	Lu Di	Update Dimensions



- Note:
- * \varnothing Important Dimension.
 - * Waterproof Rate : IP68
IP68: 1M of depth of water 24 hours
(防水等級: IP68)
(IP68: 1米水深24小時)
 - * Do Mating Test After Glued
點膠後, 須作對插測試
 - * HD-SUB Conn. : Black Core, PBT
 - * Plastic Jacket : Black, Nylon+GF
 - * Pin : Copper Alloy, Gold Plated
 - * Ring : Light Blue, Silicone
 - * Screw : Copper Alloy, Nickel Plated, #4-40 UNC

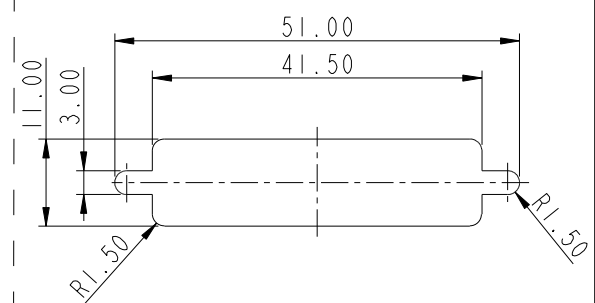


Screw L=5.0 For Panel Thickness Under 1.2mm

適用板厚為 1.2mm 以下

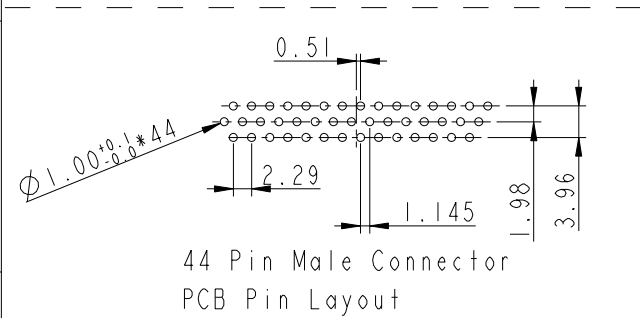
Screw L=6.0 For Panel Thickness Between 1.2~2.0mm

適用板厚為 1.2~2.0mm



Recommended Panel Cut-Out

建議控孔尺寸



UNIT: mm			TITLE D-SUB Conn. Panel Screw HD44P M Conn. M Pin		
TOLERANCE	.X ±0.25	.XX ±0.1	SCALE 1:1	SIZE A4	SHEET 1 OF 1
ANGLES	.XXX ±0.05	±1°	REV. B	WC-REV. A.3	\varnothing : Inspection item

Amphenol LTW
安費諾亮泰企業股份有限公司

ITEM NO. HDB-44PMMP-SL8001	DRAWN BY Di_lu	DATE 2013-05-14
DWG NO. HDB-44PMMP-SL8001	CHECKED BY Mafei	DATE 2013-05-14
CUSTOMER ALTW	APPROVED BY Victor	DATE 2013-05-14

THIS DOCUMENT IS SUBJECT TO CHANGE WITHOUT NOTICE. IT IS CONFIDENTIAL AND A PROPERTY OF Amphenol LTW. DISCLOSURE TO THIRD PARTY HAS TO BE AUTHORIZED BY Amphenol LTW.