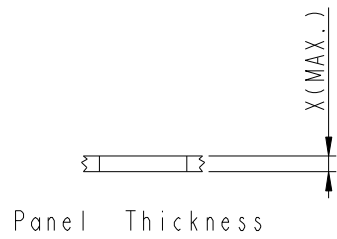
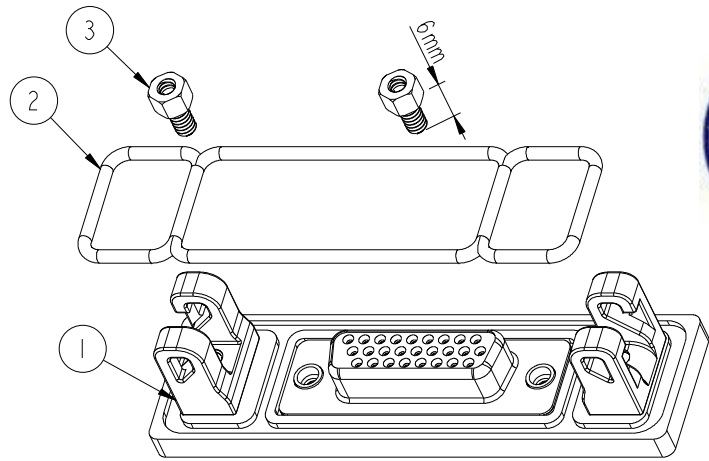
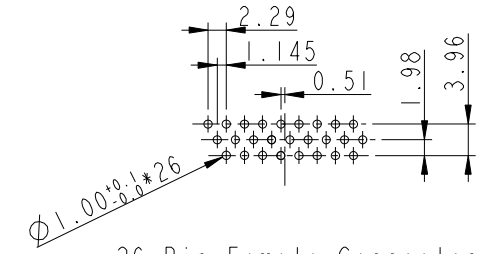


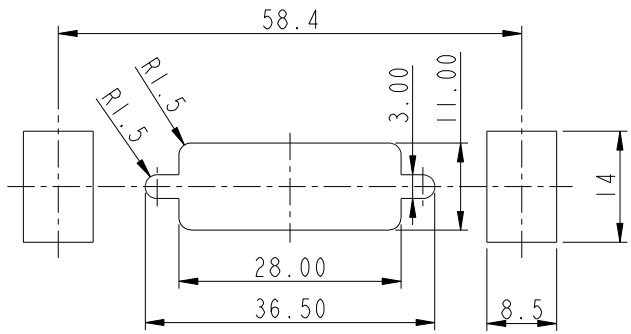
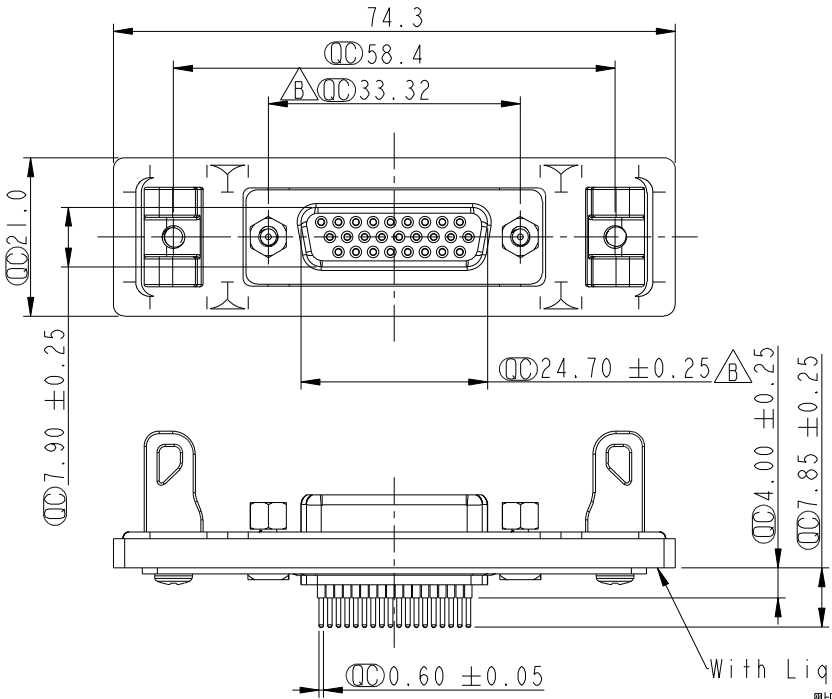
REV.	ECN NO.	DATE	SIGN	DESCRIPTION
B	LEN1390197	2013/09/02	Lu Di	Update Dimension



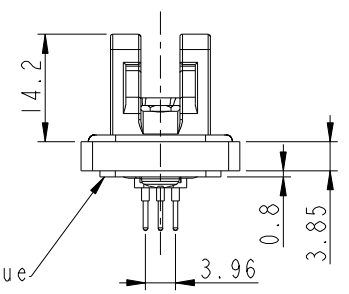
Panel Thickness  
Screw L=6.0 For Panel Thickness  
Between 1.2~2.0mm



26 Pin Female Connector  
PCB Pin Layout



Recommended Panel Cut-Out



With Liquid Glue  
點防水膠

- Notes:
- \*  $\phi$  Important Dimension To Check.
  - \* Waterproof Rate : IP68  
IP68:1M of depth of water 24 hours
  - \* Materials:  
Panel : Zinc  
Panel Link : Zinc  
Screw : Stainless,#4-40 UNC  
O-Ring : Silicone , Black  
Insulator : PBT  
Shell : Cold Rolled Steel  
Contact : Copper Alloy  
Nut : Copper Alloy
  - \* Finish:  
Panel : Nickel Plated  
Panel Link : Nickel Plated  
Nut : Nickel Plated  
Shell : Nickel Plated  
Contact : Gold Flash

UNIT: mm		
TOLERANCE		
.X	$\pm 0.25$	
.XX	$\pm 0.1$	
.XXX	$\pm 0.05$	
ANGLES	$\pm 1^\circ$	

TITLE D-SUB CONN PANEL QUICK HD26P F CONN F PIN			
SCALE 1:1	SIZE A4	SHEET 1 OF 1	
REV. B	WC-REV. A.4	$\phi$ : Inspection item	

**Amphenol LTW**  
安費諾亮泰企業股份有限公司

ITEM NO. HDB-26PFFP-QL8001	DRAWN BY Di_lu	DATE 2013/09/02
DWG NO. HDB-26PFFP-QL8001	CHECKED BY Mafei	DATE 2013/09/02
CUSTOMER ALTW	APPROVED BY Victor	DATE 2013/09/02

DATE 2013/09/02
DATE 2013/09/02
DATE 2013/09/02

THIS DOCUMENT IS SUBJECT TO CHANGE WITHOUT NOTICE. IT IS CONFIDENTIAL AND A PROPERTY OF Amphenol LTW. DISCLOSURE TO THIRD PARTY HAS TO BE AUTHORIZED BY Amphenol LTW.