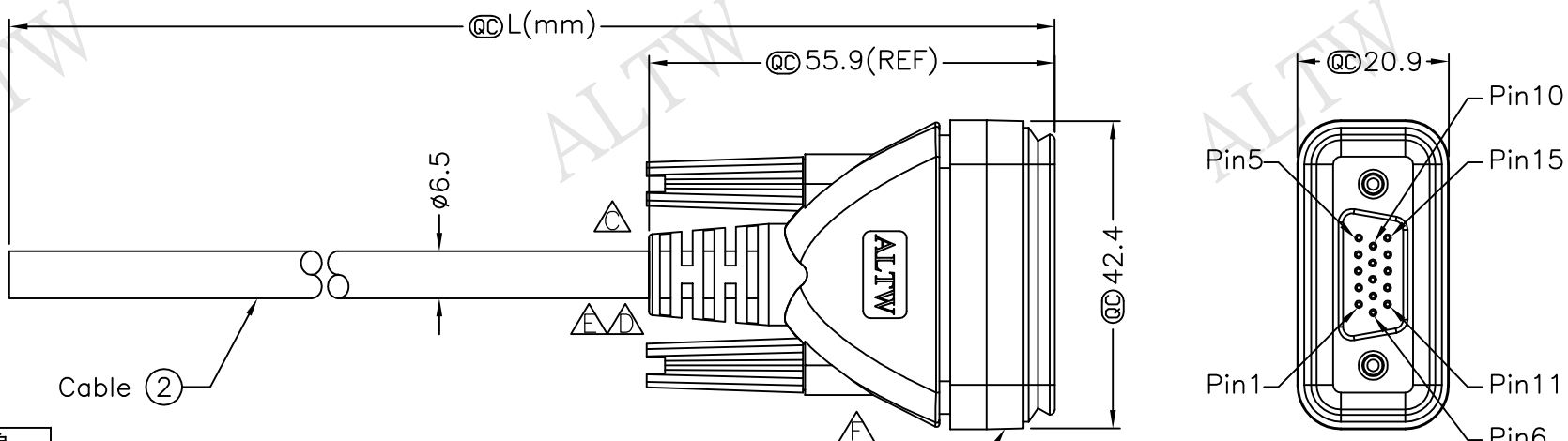


REV.	ECN NO.	DATE	SIGN	DESCRIPTION
D	LEN-930190~4	2008/10/28	Li Xiu Zhi	Change SR
E	LEN1340088~92	2013/04/02	Tony_leng	Change SR
F	LEN1520261~69	2015/02/10	Ruru	Change Logo

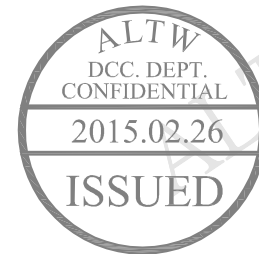
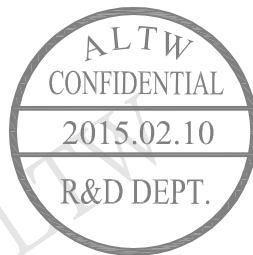


Shield	Drain	地線
15	Red/White	紅/白
14	Brown/White	棕/白
13	Black/White	黑/白
12	Light Green	淺綠
11	Purple	紫
10	Orange	橘
9	Black	黑
8	Red	紅
7	Pink	粉紅
6	Gray	灰
5	Yellow	黃
4	Green	綠
3	White	白
2	Blue	藍
1	Brown	棕
Pin	Wire Color	
Pin Out		

HDB-15AMMM-SL7AXX
 XX:01~99Meters
 01:01Meter
 02:02Meters
 :
 :
 99:99Meters
 Cable length(L):01~99Meters

HDB-15AMMM-SL7000 ①
 Color: Black

- Note:
- * @C Important Dimension
 - * Waterproof Rate: IP67
 - * Connector: HD-Sub 15 Pin, Male
 - * Cable: UL2464 26AWG*15C+Drain+AL/My ,PVC Jacket(UV Resistant), OD=6.5mm, Black
 - * Cable Length Tolerance: 01M: ±40mm
 02M~05M: ±60mm
 06M~10M: ±100mm
 11M~30M: ±200mm
 31M~99M: ±500mm



UNIT:mm		TITLE	HD-SUB Conn	ITEM NO	DRAWN BY	Ruru	DATE	2015/02/10
TOLERANCE	±0.5 mm	Cable Screw HD15P M Conn M Pin	Amphenol LTW	DWG NO	CHECKED BY	Rita	DATE	2015/02/10
		SCALE Free	SHEET 1 OF 1	CUSTOMER	APPROVED BY	Lion	DATE	2015/02/10
		REV. F	SIZE A4	ALTW				
			@C :Inspection Item					

Amphenol LTW
 安費諾亮泰企業股份有限公司

THIS DOCUMENT IS SUBJECT TO CHANGE WITHOUT NOTICE. IT IS CONFIDENTIAL AND A PROPERTY OF Amphenol LTW. DISCLOSE TO THIRD PARTY HAS TO BE AUTHORIZED BY Amphenol LTW.