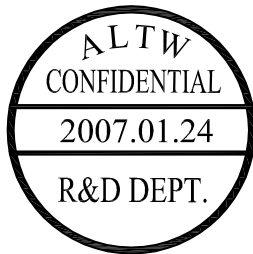
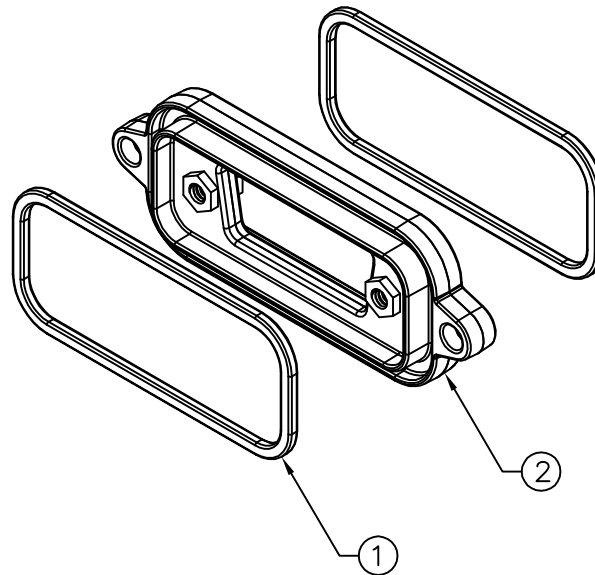
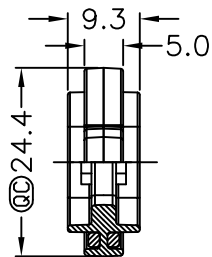
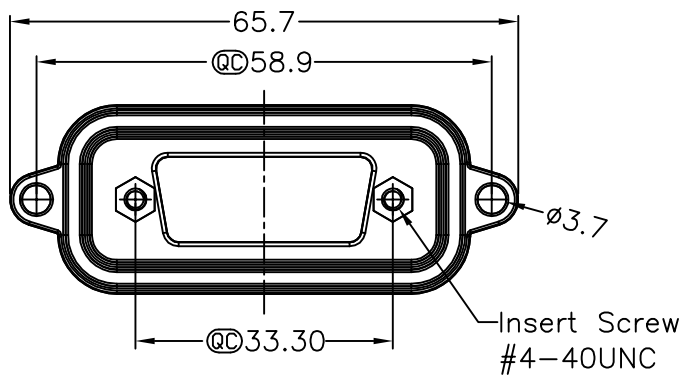
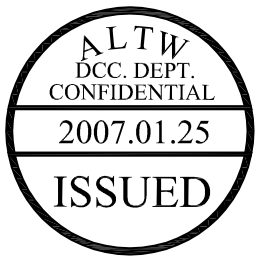


REV.	ECN NO.	DATE	SIGN	DESCRIPTION



Note:

- * @C Important Dimension To Check.
- * DJ2 Joint: Black, Nylon+GF
- * Gasket: Black, EPDM
- * Insert Screw: Copper Alloy, Ni Plated
- * Waterproof Rate: IP67

UNIT:mm		TITLE DJ2-joining Assembly
TOLERANCE .X ±0.25 .XX ±0.1 .XXX ±0.05 ANGLES ±1'	SCALE Free	SHEET 1 OF 1
REV. A	SIZE A4	@C :Inspection Item

Amphenol LTW

安費諾亮泰企業股份有限公司

ITEM NO DJ2-00JNNA-SL7001	DRAWN BY Jerry	DATE 2007/01/24
DWG NO DJ2-00JNNA-SL7001	CHECKED BY Simon	DATE 2007/01/24
CUSTOMER ALTW	APPROVED BY Max	DATE 2007/01/24

F
E
D
C
B
A

THIS DOCUMENT IS SUBJECT TO CHANGE WITHOUT NOTICE. IT IS CONFIDENTIAL AND A PROPERTY OF Amphenol LTW. DISCLOSURE TO THIRD PARTY HAS TO BE AUTHORIZED BY Amphenol LTW.