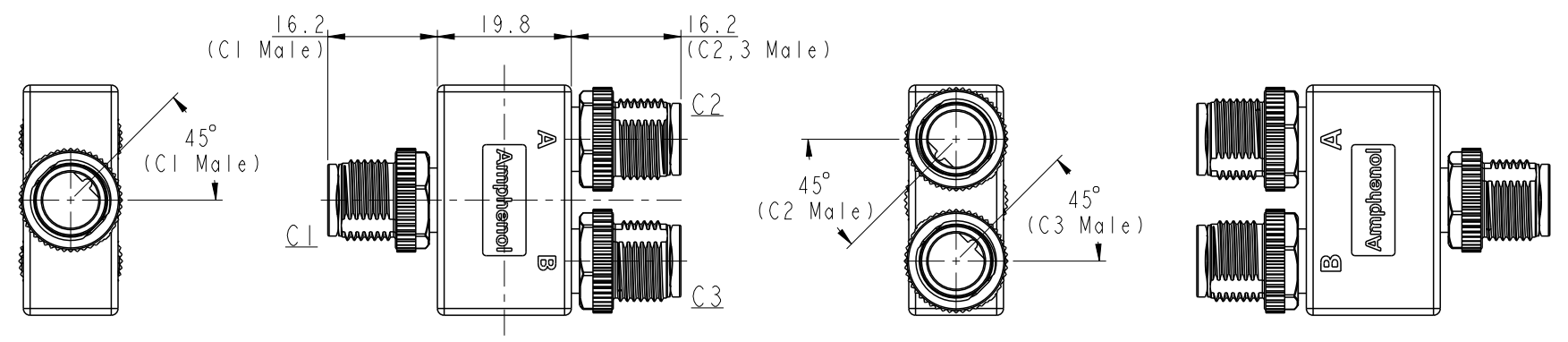


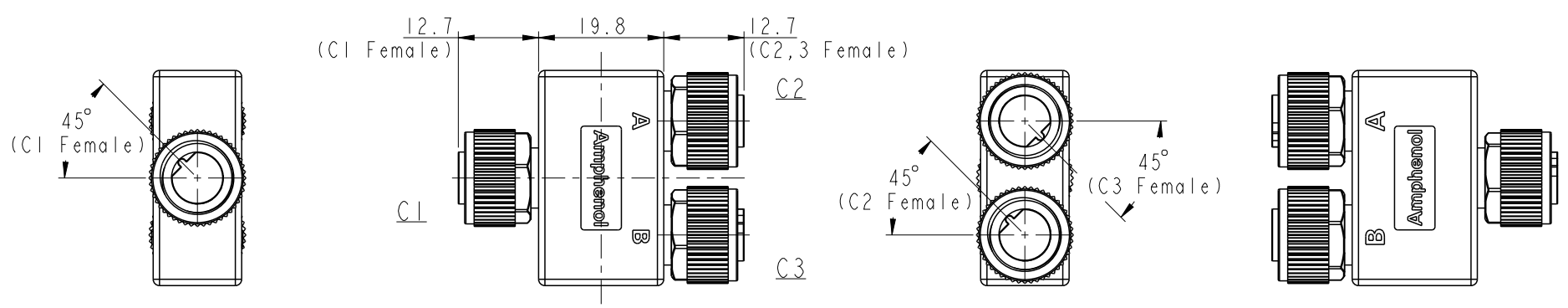
THIS DOCUMENT IS SUBJECT TO CHANGE WITHOUT NOTICE. IT IS CONFIDENTIAL AND A PROPERTY OF Amphenol LTW. DISCLOSURE TO THIRD PARTY HAS TO BE AUTHORIZED BY Amphenol LTW.

REV.	ECN NO.	DATE	SIGN	DESCRIPTION
A		2020/02/21	Wen	Initial Released.

Male Connector Position & Key Direction



Female Connector Position & Key Direction



※ This drawing is common drawing of series products.
 The figure only shows individual position and key direction of male/female connectors.
 Specific state of C1,2,3 connectors depends on part number. (see sheet 2/3)

- Note:
- * IP: IP68 (1M/24Hr.)
 - * Connector: Thermoplastic
 - * Pin: Copper Alloy
 - * Nut: Metal
 - * Other:

UNIT:mm TOLERANCE ±0.5mm		TITLE M12, B-Code, Y-Adaptor		<h1>Amphenol LTW</h1> 安費諾亮泰企業股份有限公司	ITEM NO	DRAWN BY Wen	DATE 2020/02/21		
		SCALE 1:1	SIZE A4		SHEET 1	OF 3	DWG NO YA-BXXX-BXXX-BXXX-XX	CHECKED BY Bovan	DATE 2020/02/21
		REV. A	WC-REV. A.27		☉: Inspection item		CUSTOMER ALTW	APPROVED BY Neo	DATE 2020/02/21

YA-BXXX-BXXX-BXXX-XX

-01: All connectors have the same number of pins.

C1 Connector Type

- 03: 3 pin
- 04: 4 pin
- 05: 5 pin

C1 Gender

- M: Male Connector, Male Pin
- F: Female Connector, Female Pin

C2 Connector Type

- 03: 3 pin
- 04: 4 pin
- 05: 5 pin

C2 Gender

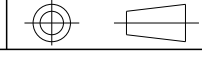
- M: Male Connector, Male Pin
- F: Female Connector, Female Pin

C3 Connector Type

- 03: 3 pin
- 04: 4 pin
- 05: 5 pin

C3 Gender

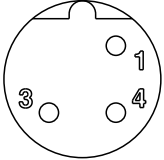
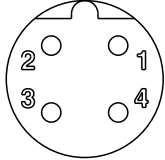
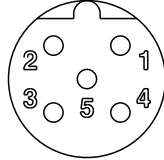
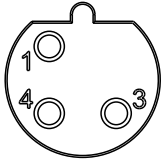
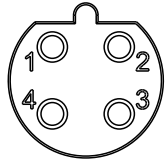
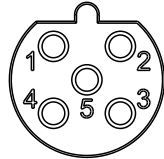
- M: Male Connector, Male Pin
- F: Female Connector, Female Pin

UNIT: mm			TITLE M12, B-Code, Y-Adaptor		
	TOLERANCE		SCALE 1:1	SIZE A4	SHEET 2 OF 3
			REV. A	WC-REV. A.27	☉: Inspection item

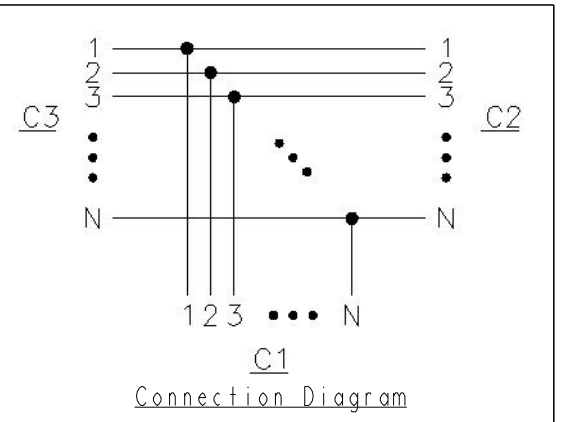
Amphenol LTW
安費諾亮泰企業股份有限公司

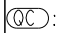
ITEM NO	DRAWN BY Wen	DATE 2020/02/21
DWG NO YA-BXXX-BXXX-BXXX-XX	CHECKED BY Bovan	DATE 2020/02/21
CUSTOMER ALTW	APPROVED BY Neo	DATE 2020/02/21

THIS DOCUMENT IS SUBJECT TO CHANGE WITHOUT NOTICE. IT IS CONFIDENTIAL AND A PROPERTY OF Amphenol LTW. DISCLOSURE TO THIRD PARTY HAS TO BE AUTHORIZED BY Amphenol LTW.

	B-Code																																
	3 Pin	4 Pin	5 Pin																														
Male																																	
Female																																	
Pin Out	<table border="1"> <thead> <tr> <th>Pin#</th> <th>Color</th> </tr> </thead> <tbody> <tr> <td>Pin1</td> <td>Black</td> </tr> <tr> <td>Pin3</td> <td>White</td> </tr> <tr> <td>Pin4</td> <td>Blue</td> </tr> </tbody> </table>	Pin#	Color	Pin1	Black	Pin3	White	Pin4	Blue	<table border="1"> <thead> <tr> <th>Pin#</th> <th>Color</th> </tr> </thead> <tbody> <tr> <td>Pin1</td> <td>Black</td> </tr> <tr> <td>Pin2</td> <td>White</td> </tr> <tr> <td>Pin3</td> <td>Blue</td> </tr> <tr> <td>Pin4</td> <td>Green</td> </tr> </tbody> </table>	Pin#	Color	Pin1	Black	Pin2	White	Pin3	Blue	Pin4	Green	<table border="1"> <thead> <tr> <th>Pin#</th> <th>Color</th> </tr> </thead> <tbody> <tr> <td>Pin1</td> <td>Black</td> </tr> <tr> <td>Pin2</td> <td>White</td> </tr> <tr> <td>Pin3</td> <td>Blue</td> </tr> <tr> <td>Pin4</td> <td>Green</td> </tr> <tr> <td>Pin5</td> <td>Red</td> </tr> </tbody> </table>	Pin#	Color	Pin1	Black	Pin2	White	Pin3	Blue	Pin4	Green	Pin5	Red
Pin#	Color																																
Pin1	Black																																
Pin3	White																																
Pin4	Blue																																
Pin#	Color																																
Pin1	Black																																
Pin2	White																																
Pin3	Blue																																
Pin4	Green																																
Pin#	Color																																
Pin1	Black																																
Pin2	White																																
Pin3	Blue																																
Pin4	Green																																
Pin5	Red																																

Pin Assignments Front View



UNIT:mm TOLERANCE	 	TITLE M12, B-Code, Y-Adaptor		ITEM NO		DRAWN BY Wen	DATE 2020/02/21	
		SCALE 1:1	SIZE A4	SHEET 3	OF 3	DWG NO YA-BXXX-BXXX-BXXX-XX	CHECKED BY Bovan	DATE 2020/02/21
		REV. A	WC-REV. A.27	 Inspection item		CUSTOMER ALTW	APPROVED BY Neo	DATE 2020/02/21
<h1>Amphenol LTW</h1> <p>安費諾亮泰企業股份有限公司</p>								