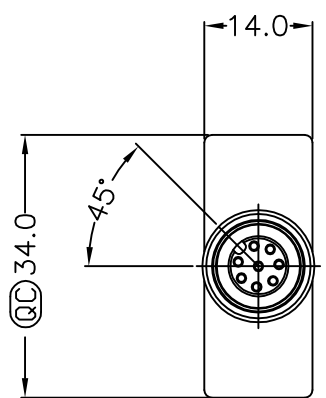
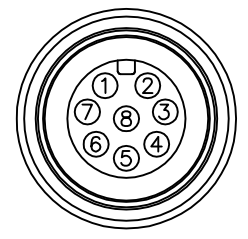
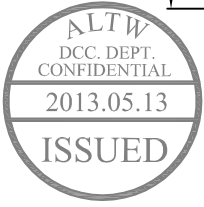
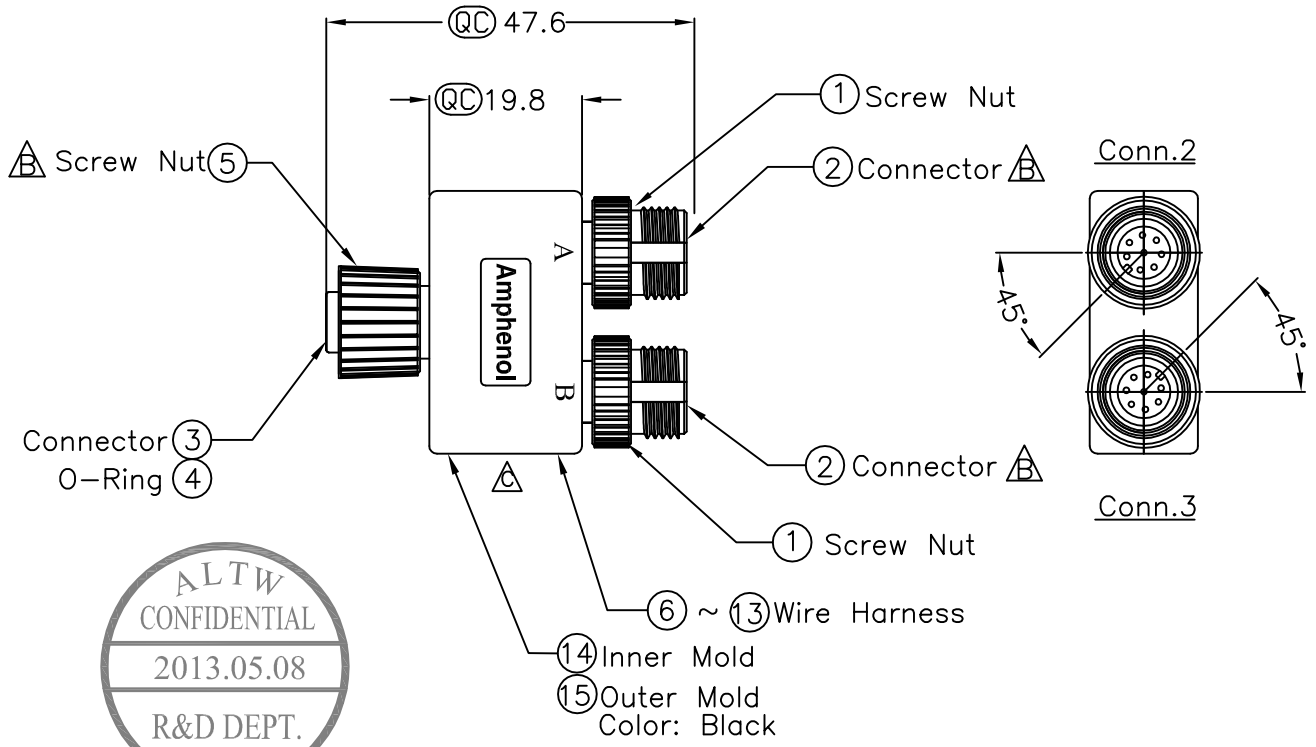


REV.	ECN NO.	DATE	SIGN	DESCRIPTION
B	LE3-810047	2007/12/24	Jessie	Modify the Note And Change Part
C	LEN1350127	2013/05/08	Lu Di	Change LOGO

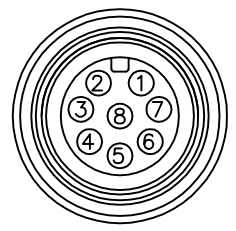
THIS DOCUMENT IS SUBJECT TO CHANGE WITHOUT NOTICE. IT IS CONFIDENTIAL AND A PROPERTY OF Amphenol LTW. DISCLOSURE TO THIRD PARTY HAS TO BE AUTHORIZED BY Amphenol LTW.



Conn.1



Pin Assignments
Front View 前視圖
Conn.1



Pin Assignments
Front View 前視圖
Conn.2&3

8	Orange 橘	8	8
7	Yellow 黃	7	7
6	Gray 灰	6	6
5	Red 紅	5	5
4	Green 綠	4	4
3	Blue 藍	3	3
2	White 白	2	2
1	Black 黑	1	1
Conn.1	Wire Color	Conn.2	Conn.3

Pin Out

- Note:
- * (QC) Important Dimension.
 - * Waterproof Rate: IP68
 - * Housing: Black, PU
 - * Contact: Copper Alloy, Gold Plated
 - * Wire Harness: UL1007 24AWG
 - * O-Ring: Green, Viton
 - * Nut: Zinc; Nicked Plated

UNIT:mm		TITLE
M12 8Pin Adaptor		
TOLERANCE	SCALE	SHEET
.X ±0.25	Free	1 OF 1
.XX ±0.1	REV. C	SIZE A4
.XXX ±0.05	(QC) : Inspection Item	
ANGLES ±1°		

Amphenol LTW
安費諾亮泰企業股份有限公司

ITEM NO	SS-080808-FMM-YS001	DRAWN BY	Lu Di	DATE	2013/05/08
DWG NO	SS-080808-FMM-YS001	CHECKED BY	Mafei	DATE	2013/05/08
CUSTOMER	ALTW	APPROVED BY	Victor	DATE	2013/05/08