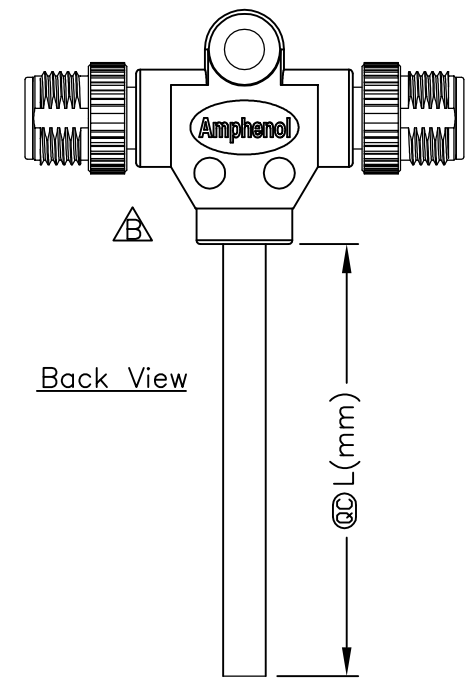
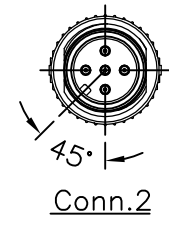
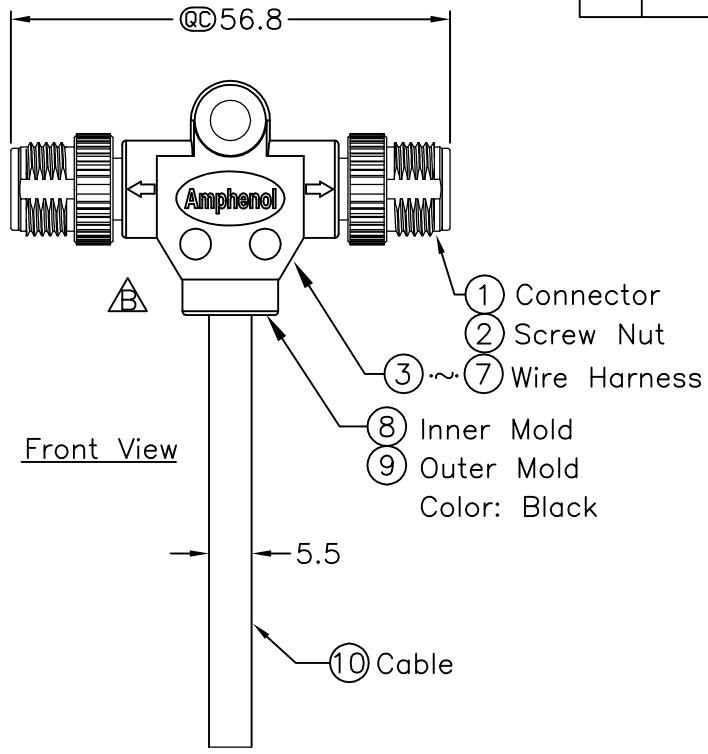
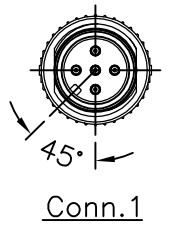
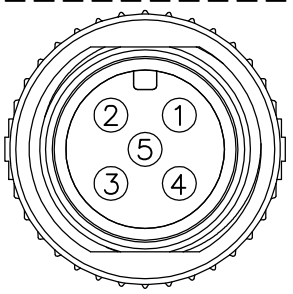


REV.	ECN NO.	DATE	SIGN	DESCRIPTION
B	LEN1720317~320	2017/02/15	Ruru	Change Logo & Outer Mold Design & Note

THIS DOCUMENT IS SUBJECT TO CHANGE WITHOUT NOTICE. IT IS CONFIDENTIAL AND A PROPERTY OF Amphenol LTW. DISCLOSURE TO THIRD PARTY HAS TO BE AUTHORIZED BY Amphenol LTW.



SS-050500-MM0-TSAXX  
 ↑  
 XX:01~99Meter  
 01:01Meter  
 02:02Meters  
 :  
 :  
 99:99Meters  
 Cable Length(L):01~99Meters



Conn.1 & Conn.2  
Pin Assignments  
Front View

5	Green	綠	5
4	Black	黑	4
3	Blue	藍	3
2	White	白	2
1	Brown	棕	1
Conn.1	Wire Color		Conn.2
Pin Out			



- Note:
- \* @C Important Dimension.
  - \* Waterproof Rate: IP68
  - \* Housing: Black, PU
  - \* Male Pin: Copper Alloy, Gold Plated
  - \* Wire Harness: UL1007 24AWG, 5Pcs.
  - \* Cable: UL2464 22AWG\*5C+Talc  
Black, PVC Jacket UV Resistant OD=5.5mm
  - \* Cable Length Tolerance: 01M: ±40mm  
02M~05M: ±60mm  
06M~10M: ±100mm  
11M~30M: ±200mm  
31M~99M: ±500mm

UNIT:mm		TITLE M12 Conn T Cable Screw MM Conn MM Pin	<b>Amphenol LTW</b> 安費諾亮泰企業股份有限公司		ITEM NO	DRAWN BY Ruru	DATE 2017/02/15
TOLERANCE ±0.5 mm	SCALE Free	SHEET 1 OF 1			DWG NO SS-050500-MM0-TSAXX	CHECKED BY Rita	DATE 2017/02/15
REV. B	SIZE A4	@C :Inspection Item	CUSTOMER ALTW	APPROVED BY Max	DATE 2017/02/15		

1 2 3 4 5 6 7 8

F

E

D

C

B

A

1 2 3 4 5 6 7 8

FMWIG02-01-01A2