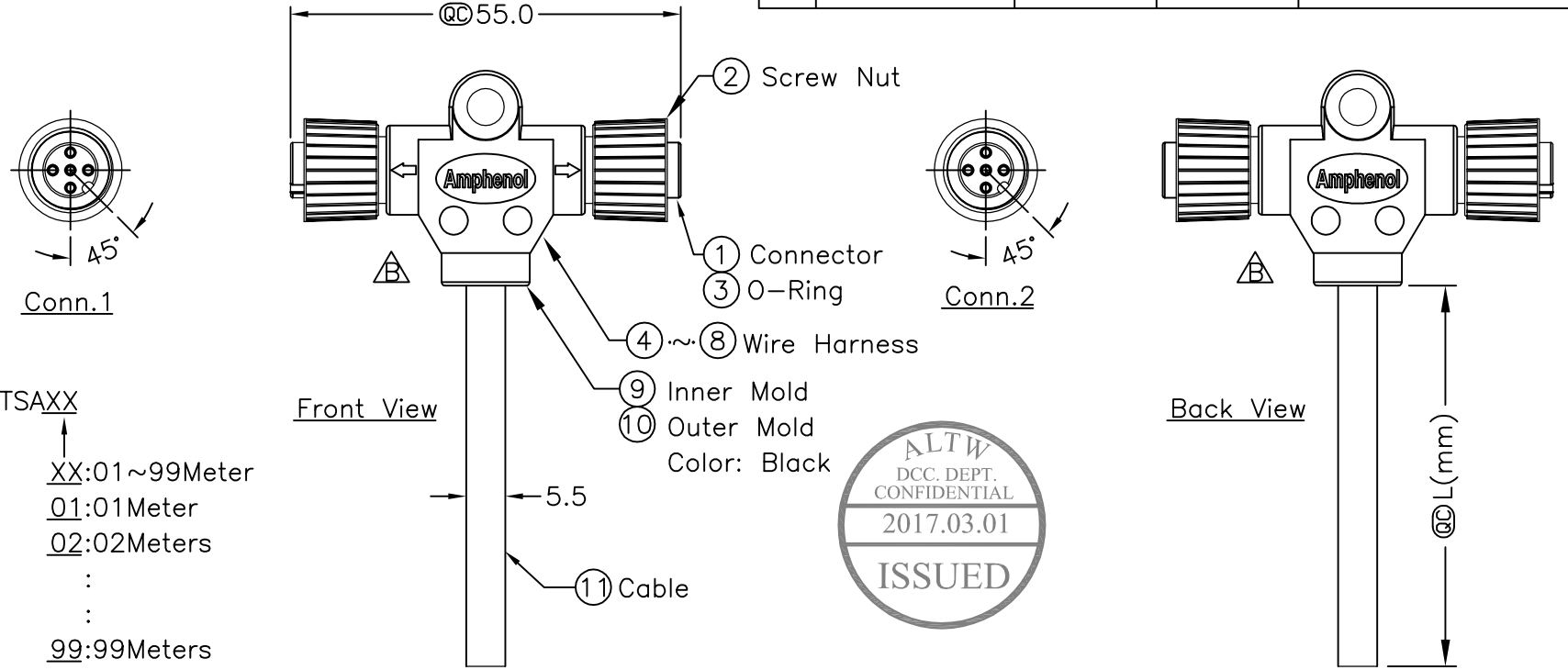
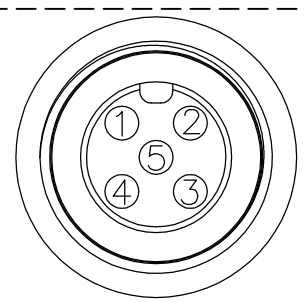


REV.	ECN NO.	DATE	SIGN	DESCRIPTION
B	LEN1720313~316	2017/02/15	Ruru	Change Logo & Outer Mold Design & Note

THIS DOCUMENT IS SUBJECT TO CHANGE WITHOUT NOTICE. IT IS CONFIDENTIAL AND A PROPERTY OF Amphenol LTW. DISCLOSURE TO THIRD PARTY HAS TO BE AUTHORIZED BY Amphenol LTW.



SS-050500-FF0-TSAXX
 XX:01~99Meter
 01:01Meter
 02:02Meters
 :
 :
 99:99Meters
 Cable Length(L):01~99Meters



Conn.1 & Conn.2
 Pin Assignments
 Front View

5	Green	綠	5
4	Black	黑	4
3	Blue	藍	3
2	White	白	2
1	Brown	棕	1
Conn.1	Wire Color		Conn.2
Pin Out			



Note:
 * @C Important Dimension.
 * Waterproof Rate: IP68
 * Housing: Black, PU
 * Female Pin: Copper Alloy, Gold Plated
 * Wire Harness: UL1007 24AWG, 5Pcs.
 * Cable: UL2464 22AWG*5C+Talc
 Black, PVC Jacket UV Resistant OD=5.5mm
 * Cable Length Tolerance: 01M: ±40mm
 02M~05M: ±60mm
 06M~10M: ±100mm
 11M~30M: ±200mm
 31M~99M: ±500mm

UNIT:mm		TITLE	M12 Conn T Cable Screw FF Conn FF Pin		Amphenol LTW	ITEM NO	SS-050500-FF0-TSAXX	DRAWN BY	Ruru	DATE	2017/02/15
TOLERANCE	±0.5 mm	SCALE	Free	SHEET	1 OF 1	DWG NO	SS-050500-FF0-TSAXX	CHECKED BY	Rita	DATE	2017/02/15
REV.	B	SIZE	A4	@C	:Inspection Item	CUSTOMER	ALTW	APPROVED BY	Max	DATE	2017/02/15
1	2	3	4	5	6	7	8	FWI0702-01-01A2			

Amphenol LTW
 安費諾亮泰企業股份有限公司