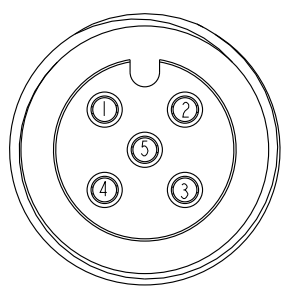
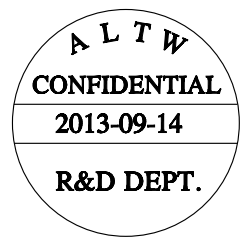
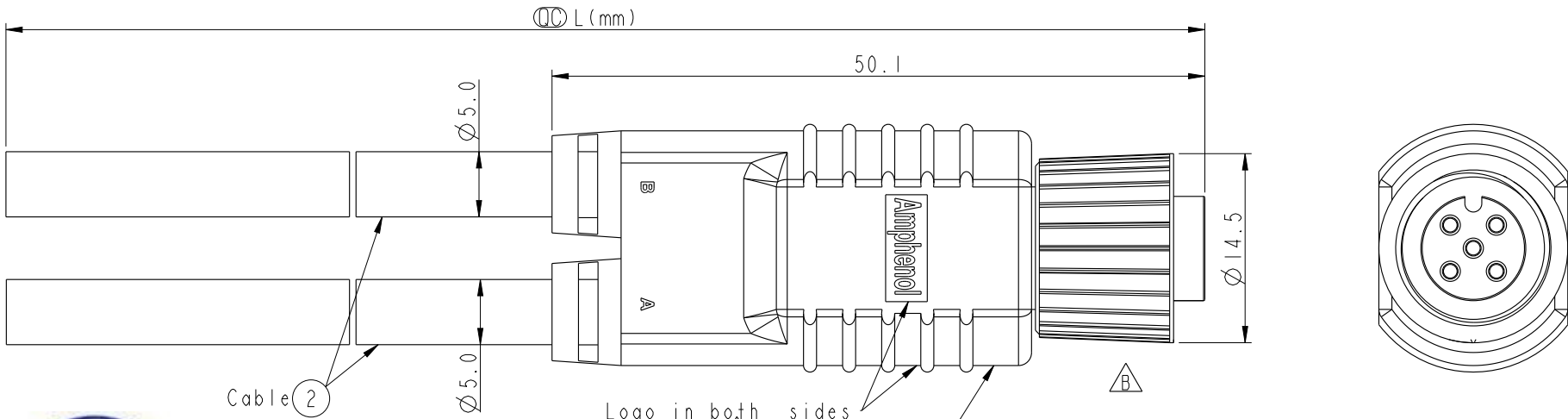


REV.	ECN NO.	DATE	SIGN	DESCRIPTION
B	LE3-9A0075~78	2009/10/12	Li Xiu Zhi	Change Screw Nut
C	LEN13B0213~16	2013/09/14	Cary	Change Logo From LTW To Amphenol



Pin Assignments
Front View

5	Green	綠	Green	綠
4	Black	黑	Black	黑
3	Blue	藍	Blue	藍
2	White	白	White	白
1	Brown	棕	Brown	棕
Conn.	A	B		
	Wire Color			
	Pin Out			

SS-050000-F00-YS000
Color:Black

SS-050000-F00-YSBXX
XX:01~99Meters
01:01Meter
02:02Meters
:
99:99Meters
Cable Length(L):01~99Meters

- Note:
- * \varnothing Important Dimension To Check.
 - * Waterproof Rate:IP68.
IP68:1M Depth Of Water In 24hours.
 - * Housing:PU,Black.
 - * Female Pin:Copper Alloy,Gold Plated.
 - * O-Ring:Viton,Green
 - * Screw Nut:ZN-ZDC-3,Nicked Plated
 - * Cable:22AWG*5C+TALCUM PU Jacket VW-1, Black ,OD=5.0.
 - * Cable Length Tolerance:01M:±40mm
02M~05M:±60mm
06M~10M:±100mm
11M~30M:±200mm
31M~99M:±500mm

UNIT:mm
TOLERANCE
±0.5mm

TITLE M12 Series Sensor Conn. 5Pin Female Conn. Female Pin			
SCALE 2:1	SIZE A4	SHEET 1 OF 1	
REV. C	WC-REV. A.1	\varnothing : Inspection item	

Amphenol LTW
安費諾亮泰企業股份有限公司

ITEM NO	DRAWN BY Cary_liu	DATE 2013/09/14
DWG NO SS-050000-F00-YSBXX	CHECKED BY Mafei	DATE 2013/09/14
CUSTOMER ALTW	APPROVED BY Victor	DATE 2013/09/14

THIS DOCUMENT IS SUBJECT TO CHANGE WITHOUT NOTICE. IT IS CONFIDENTIAL AND A PROPERTY OF Amphenol LTW. DISCLOSURE TO THIRD PARTY HAS TO BE AUTHORIZED BY Amphenol LTW.