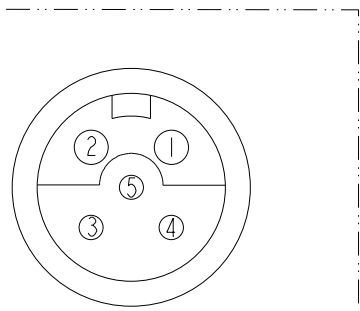
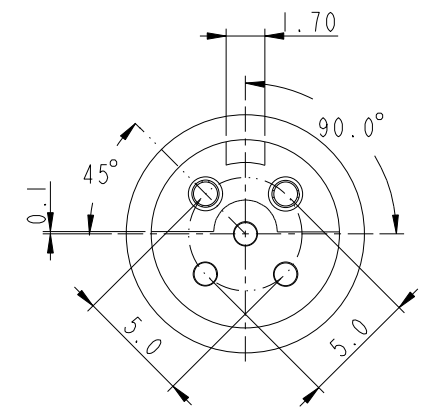
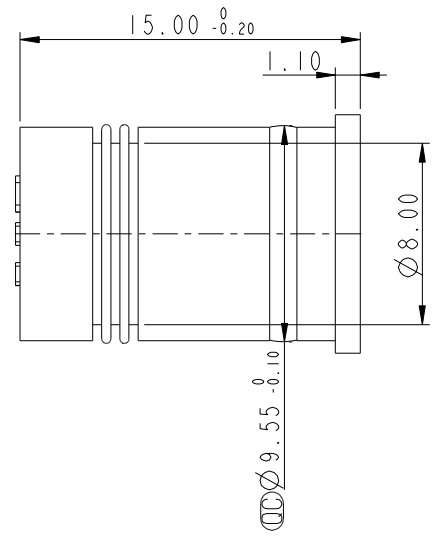
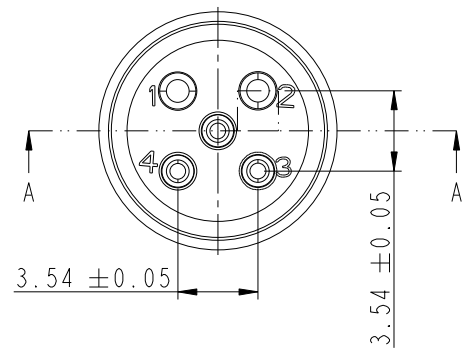
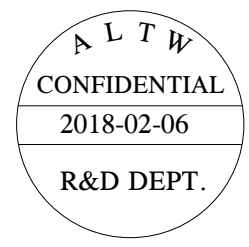
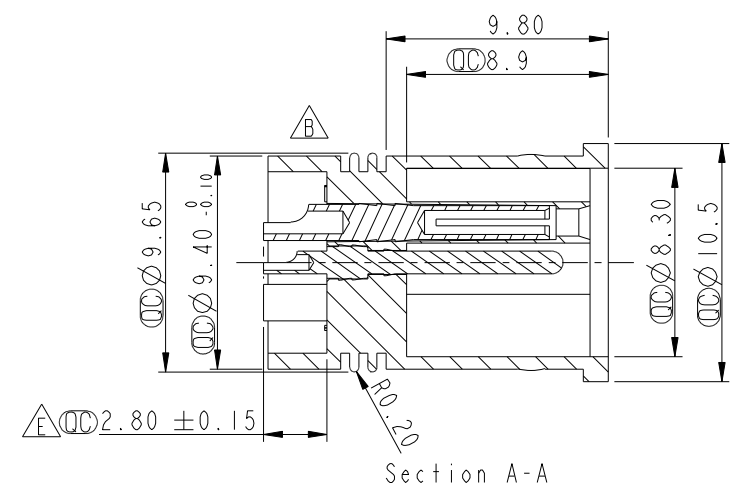


THIS DOCUMENT IS SUBJECT TO CHANGE WITHOUT NOTICE. IT IS CONFIDENTIAL AND A PROPERTY OF AMPHENOL LTW. DISCLOSURE TO THIRD PARTY HAS TO BE AUTHORIZED BY AMPHENOL LTW.

REV.	ECN NO.	DATE	SIGN	DESCRIPTION
C	LEN1670222	2016/07/14	Jinhai	Change Dimension
D	LEN1681091	2016/08/14	Mafei	Updated The Dimension.
E	LEN1810202	2018/02/06	Zhangling Wan	Updated The Dimension.



Pin Assignments
Front View



Note:
 * \varnothing Important Dimension.
 * Housing: Nylon+GF, Black
 * Female Pin: Copple Alloy, Gold Plated
 * Male Pin: Copple Alloy, Gold Plated

UNIT:mm		
TOLERANCE	.X ±0.25	
	.XX ±0.1	
	.XXX ±0.05	
ANGLES	±1°	

TITLE Solder M12 I Style 5Pin			
SCALE 3:1	SIZE A4	SHEET 1 OF 1	
REV. E	WC-REV. A.4	\varnothing : Inspection item	

Amphenol LTW
 安費諾亮泰企業股份有限公司

ITEM NO SLD-1005001	DRAWN BY Zhangling Wan	DATE 2018-02-06
DWG NO SLD-1005001	CHECKED BY Fisher Wang	DATE 2018-02-06
CUSTOMER ALTW	APPROVED BY Kevin Hu	DATE 2018-02-06

1 2 3 4 5 6 7 8

F

E

D

C

B

A

W10814-03-001A1