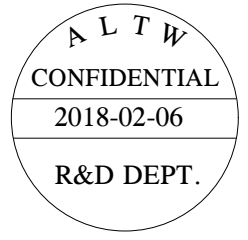
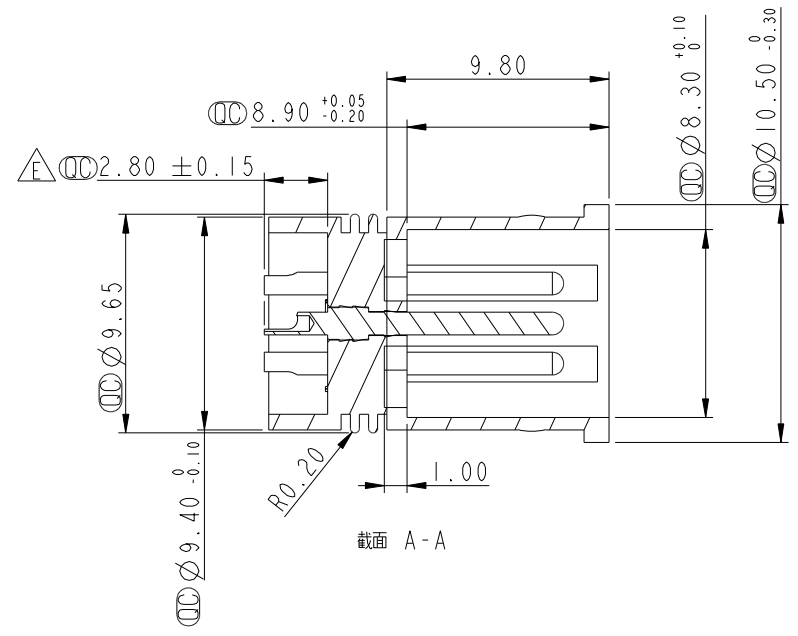
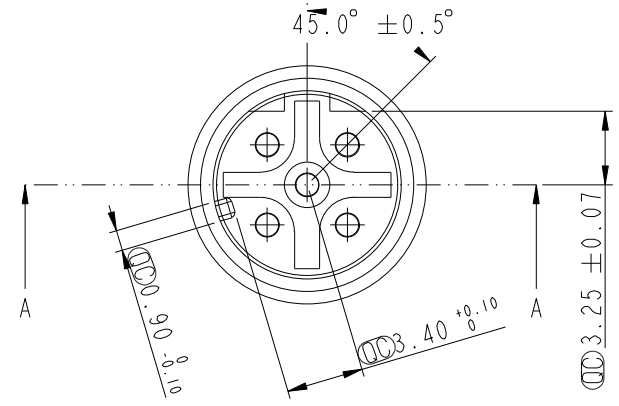
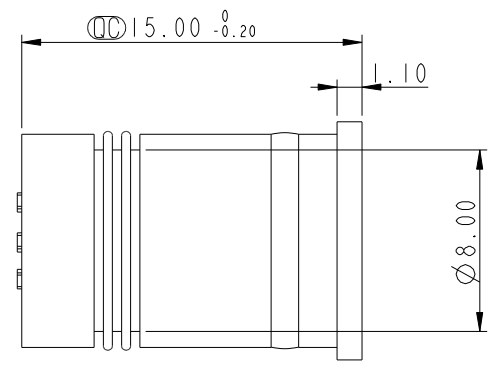
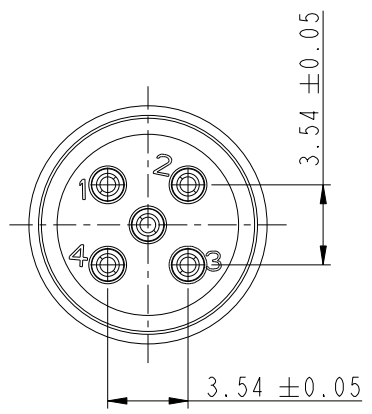


THIS DOCUMENT IS SUBJECT TO CHANGE WITHOUT NOTICE. IT IS CONFIDENTIAL AND A PROPERTY OF AMPHENOL LTW. DISCLOSURE TO THIRD PARTY HAS TO BE AUTHORIZED BY AMPHENOL LTW.

REV.	ECN NO.	DATE	SIGN	DESCRIPTION
C	LEN1650288	2016/05/11	Jinhai	Change Dimensions
D	LEN1681090	2016/08/16	Mafei	Updated The Dimension.
E	LEN1810200	2018-02-06	Zhangling Wan	Updated The Dimension.



Note:
 * \varnothing Important Dimension To Check.
 * Housing: Nylon+GF, Black.
 * Male Pin: Copper Alloy Gold Plated.

UNIT: mm		
TOLERANCE	.X ± 0.25	
	.XX ± 0.1	
	.XXX ± 0.05	
ANGLES	± 1°	

TITLE Solder M12 D Code 5Pin			
SCALE 3:1	SIZE A4	SHEET 1 OF 1	
REV. E	WC-REV. A.1	\varnothing : Inspection item	

Amphenol LTW
 安費諾亮泰企業股份有限公司

ITEM NO. SLD-D005001	DRAWN BY Zhangling Wan	DATE 2018-02-06
DWG NO. SLD-D005001	CHECKED BY Fisher Wang	DATE 2018-02-06
CUSTOMER ALTW	APPROVED BY Kevin Hu	DATE 2018-02-06