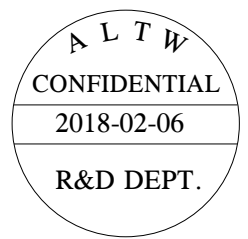
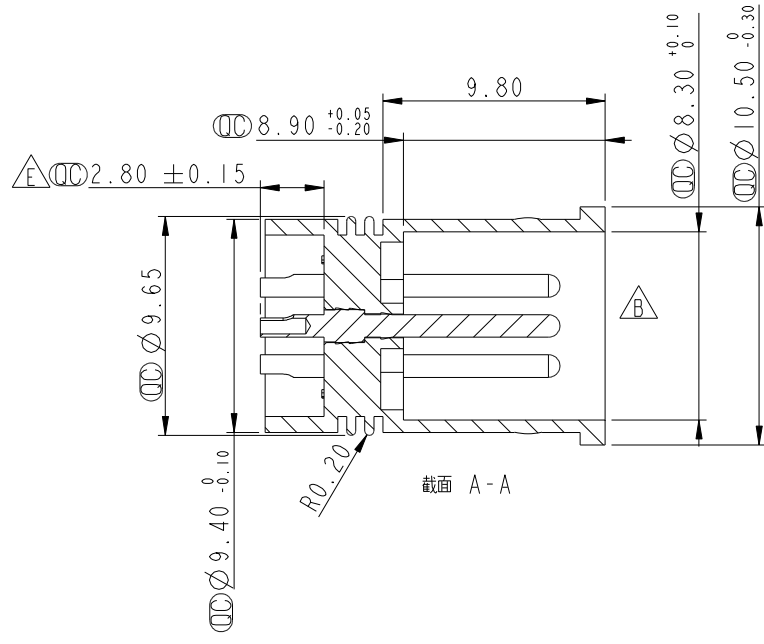
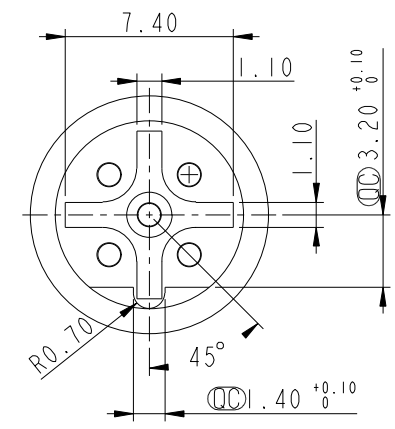
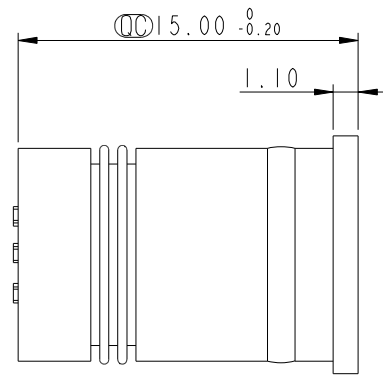
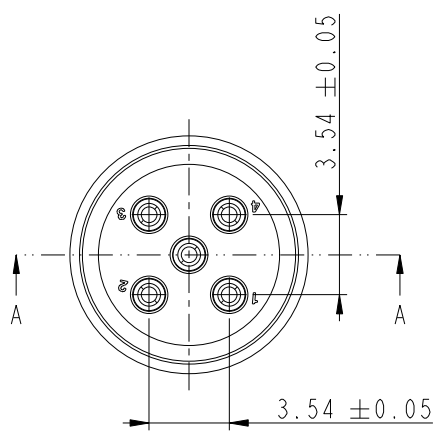


THIS DOCUMENT IS SUBJECT TO CHANGE WITHOUT NOTICE. IT IS CONFIDENTIAL AND A PROPERTY OF Amphenol LTW. DISCLOSURE TO THIRD PARTY HAS TO BE AUTHORIZED BY Amphenol LTW.

REV.	ECN NO.	DATE	SIGN	DESCRIPTION
C	LEN1650290	2016/05/11	Jinhai	Change Dimensions
D	LEN1681088	2016/08/16	Mafei	Updated The Dimension.
E	LEN1810196	2018/02/06	Zhangling Wan	Updated The Dimension.



Note:
 * \varnothing Important Dimension To Check.
 * Housing: Nylon+GF, Black.
 * Male Pin: Copper Alloy Gold Plated.

UNIT: mm		
TOLERANCE	.X ±0.25	
.XX	±0.1	
.XXX	±0.05	
ANGLES	±1°	

TITLE 5PIN MALE CONN MALE PIN			
SCALE 3:1	SIZE A4	SHEET 1 OF 1	
REV. E	WC-REV. A.1	\varnothing : Inspection item	

Amphenol LTW
 安費諾亮泰企業股份有限公司

ITEM NO SLD-B005001	DRAWN BY Zhangling Wan	DATE 2018-02-06
DWG NO SLD-B005001	CHECKED BY Fisher Wang	DATE 2016-02-06
CUSTOMER ALTW	APPROVED BY Kevin Hu	DATE 2018-02-06