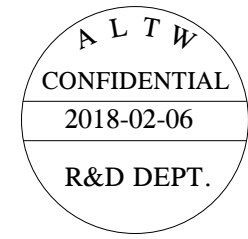
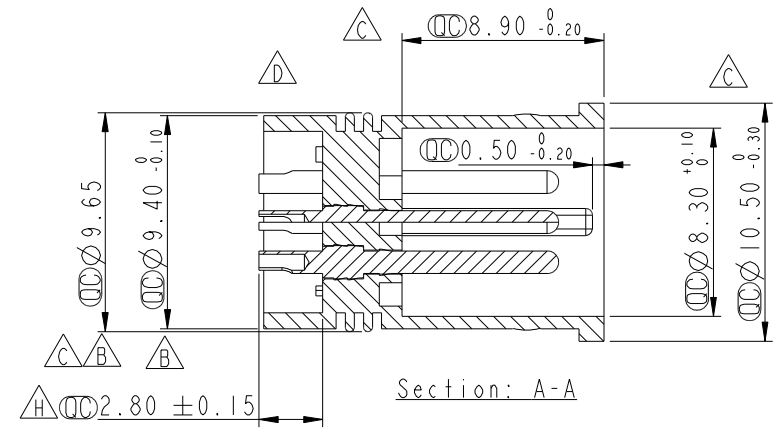
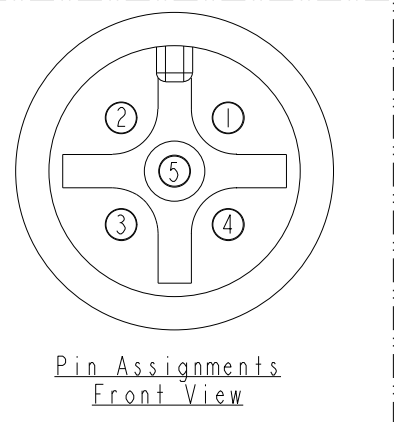
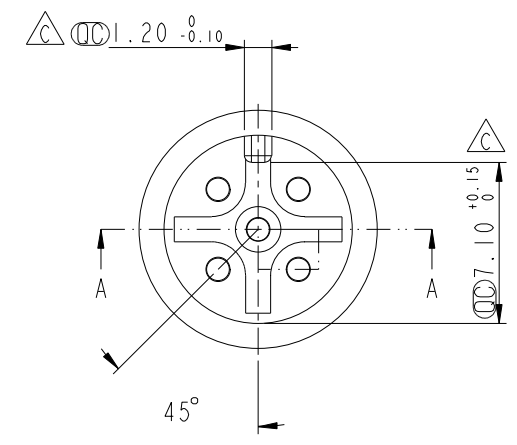
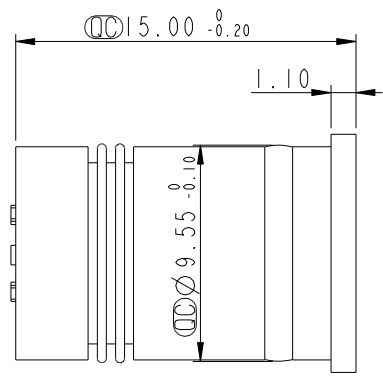
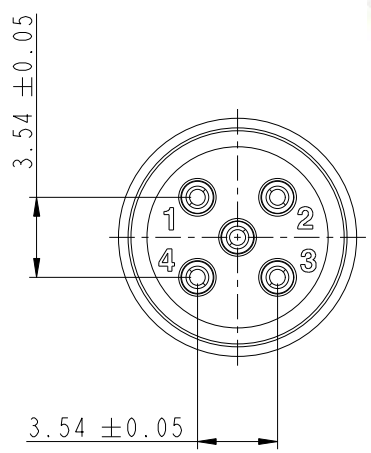


THIS DOCUMENT IS SUBJECT TO CHANGE WITHOUT NOTICE. IT IS CONFIDENTIAL AND A PROPERTY OF AMPHENOL LTW. DISCLOSURE TO THIRD PARTY HAS TO BE AUTHORIZED BY AMPHENOL LTW.

REV.	ECN NO.	DATE	SIGN	DESCRIPTION
F	LEN1650286	2016/05/11	Jinhai	Change Dimensions
G	LEN1681085	2016/08/04	Mafei	Updated The Dimension.
H	LEN1810192	2018/02/06	Zhangling Wan	Updated The Dimension.



Note:
 * \varnothing Important Dimension To Check.
 * Housing: Nylon+GF, Black.
 * Male Pin: Copper Alloy Gold Plated.

UNIT:mm		
TOLERANCE	.X ±0.25	
	.XX ±0.1	
	.XXX ±0.05	
ANGLES	±1°	

TITLE E Solder M12 5 Pin		
SCALE 3:1	SIZE A4	SHEET 1 OF 1
REV. H	WC-REV. A.5	\varnothing : Inspection item

Amphenol LTW
 安費諾亮泰企業股份有限公司

ITEM NO SLD-A005001	DRAWN BY Zhangling Wan	DATE 2018-02-06
DWG NO SLD-A005001	CHECKED BY Fisher Wang	DATE 2018-02-06
CUSTOMER ALTW	APPROVED BY Kevin Hu	DATE 2018-02-06