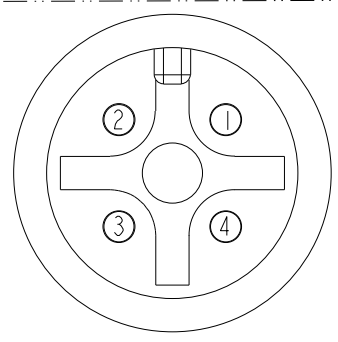
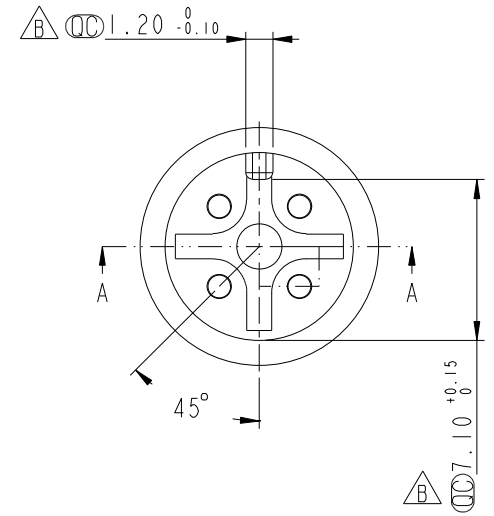
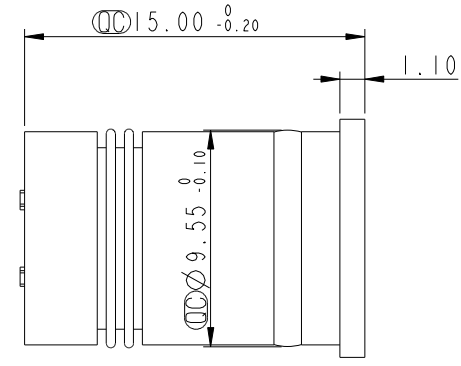
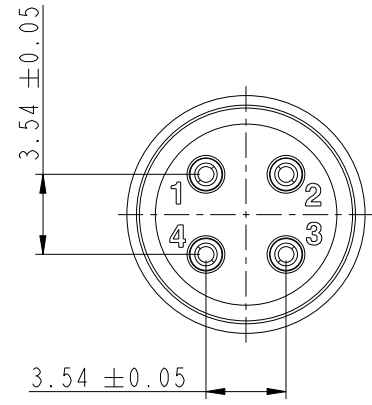
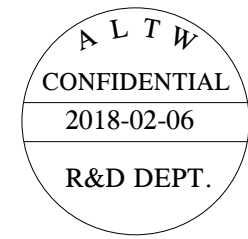
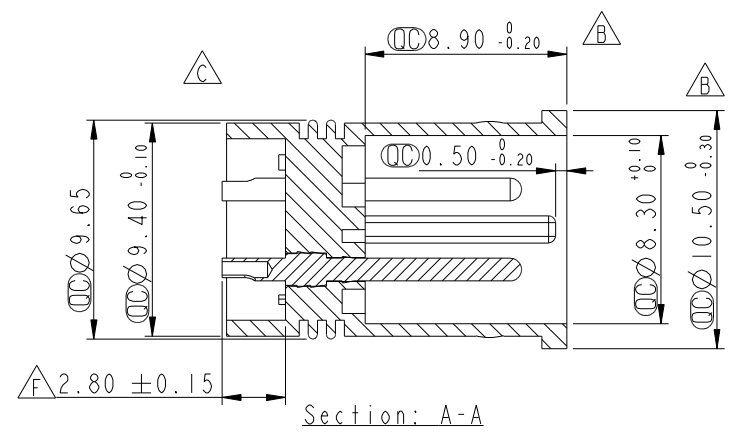


THIS DOCUMENT IS SUBJECT TO CHANGE WITHOUT NOTICE. IT IS CONFIDENTIAL AND A PROPERTY OF AMPHENOL LTW. DISCLOSURE TO THIRD PARTY HAS TO BE AUTHORIZED BY AMPHENOL LTW.

REV.	ECN NO.	DATE	SIGN	DESCRIPTION
D	LEN1650285	2016/05/11	Jinhai	Change Dimension
E	LEN1681084	2016/08/15	Mafei	Updated The Dimension.
F	LEN1810190	2018-02-06	Zhangling Wan	Updated The Dimension.



Pin Assignments  
Front View



Note:  
 \* (CC) Important Dimension To Check.  
 \* Housing: Nylon+GF, Black.  
 \* Male Pin: Copper Alloy Gold Plated.

UNIT:mm		
TOLERANCE	.X ±0.25	
.XX ±0.1		
.XXX ±0.05		
ANGLES	±1°	

TITLE Solder M12 4 Pin		
SCALE 3:1	SIZE A4	SHEET 1 OF 1
REV. F	WC-REV. A.4	(CC): Inspection item

**Amphenol LTW**  
 安費諾亮泰企業股份有限公司

ITEM NO SLD-A004001	DRAWN BY Zhangling Wan	DATE 2018-02-06
DWG NO SLD-A004001	CHECKED BY Fisher Wang	DATE 2018-02-06
CUSTOMER ALTW	APPROVED BY Kevin Hu	DATE 2018-02-06