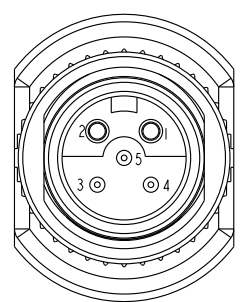
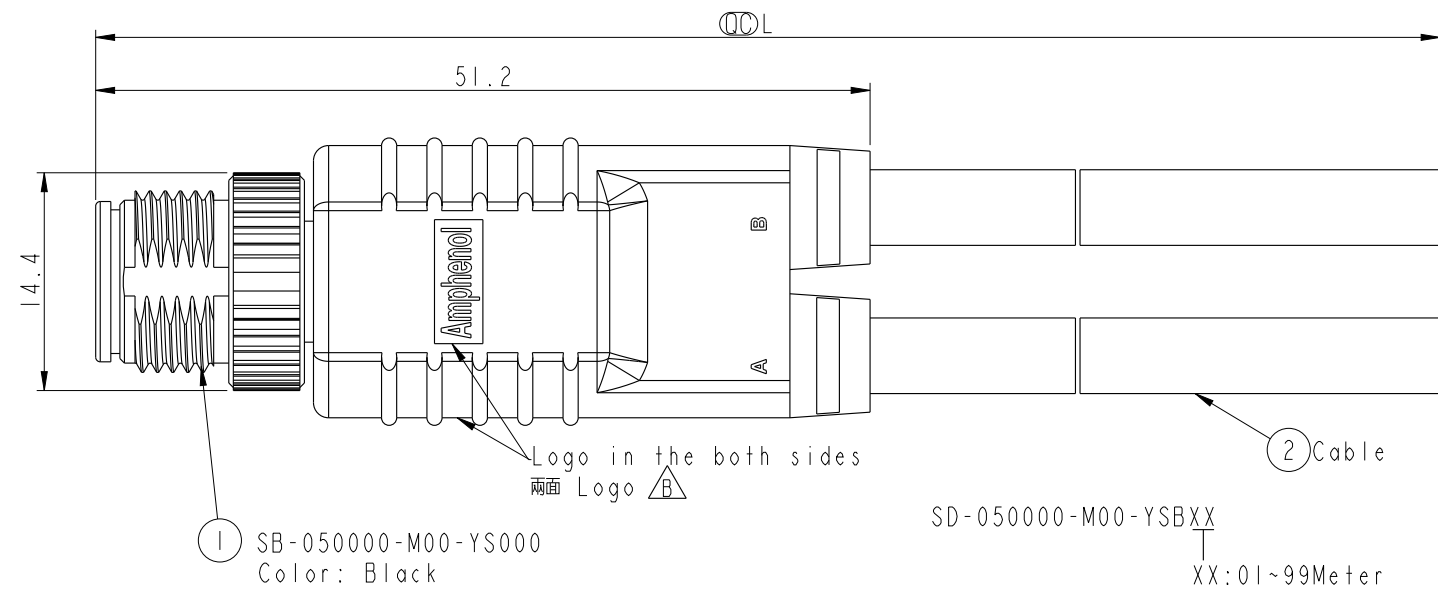
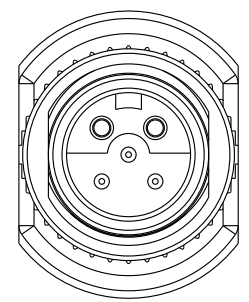
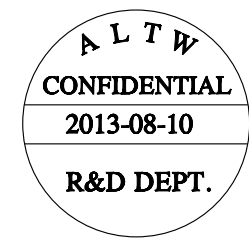
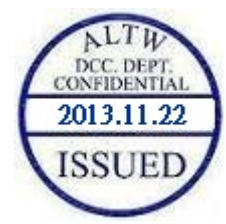


THIS DOCUMENT IS SUBJECT TO CHANGE WITHOUT NOTICE. IT IS CONFIDENTIAL AND A PROPERTY OF Amphenol LTW. DISCLOSURE TO THIRD PARTY HAS TO BE AUTHORIZED BY Amphenol LTW.

|      |               |            |      |                         |
|------|---------------|------------|------|-------------------------|
| REV. | ECN NO.       | DATE       | SIGN | DESCRIPTION             |
| B    | LEN13B0233~36 | 2013/08/10 | Cary | Change Logo To Amphenol |



Pin Assignments  
Front View



|       |            |   |       |
|-------|------------|---|-------|
| 5     | Green      | 綠 | Green |
| 4     | Black      | 黑 | Black |
| 3     | Blue       | 藍 | Blue  |
| 2     | White      | 白 | White |
| 1     | Brown      | 棕 | Brown |
|       | A          |   | B     |
| Conn. | Wire Color |   |       |
|       | Pin Out    |   |       |

- Note:
- \*  $\varnothing$  Important Dimension.
  - \*  $\triangle B$  Waterproof Rate: IP68  
IP68: 1M Depth Of Water In 24hours.
  - \* Housing: PU, Black
  - \* Pin: Copper Alloy, Gold Plated
  - \* Cable: NO HALOGEN 22AWG\*5C+T,  
Black, PU Jacket, UV Resistant, OD=5.0mm
  - \*  $\triangle B$  Cable Length Tolerance: 01M:  $\pm 40$ mm  
02M~05M:  $\pm 60$ mm  
06M~10M:  $\pm 100$ mm  
11M~30M:  $\pm 200$ mm  
31M~99M:  $\pm 500$ mm

|                                      |  |                |                                      |  |                  |                       |                               |
|--------------------------------------|--|----------------|--------------------------------------|--|------------------|-----------------------|-------------------------------|
| UNIT:mm<br>TOLERANCE<br>$\pm 0.5$ mm | TITLE<br>M12 Conn 5Pin M Conn 1 Pin, Y Cable |                | <b>Amphenol LTW</b><br>安費諾亮泰企業股份有限公司 |  | ITEM NO          | DRAWN BY<br>Cary_liu  | DATE<br>2013-08-10            |
|                                      | SCALE<br>2:1                                 | SIZE<br>A4     |                                      |  | SHEET<br>1       | OF<br>1               | DWG NO<br>SI-050000-M00-YSBXX |
|                                      | REV.<br>B                                    | WC-REV.<br>A.1 | $\varnothing$ : Inspection item      |  | CUSTOMER<br>ALTW | APPROVED BY<br>Victor | DATE<br>2013-08-10            |