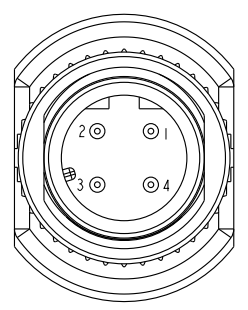
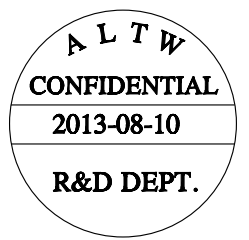
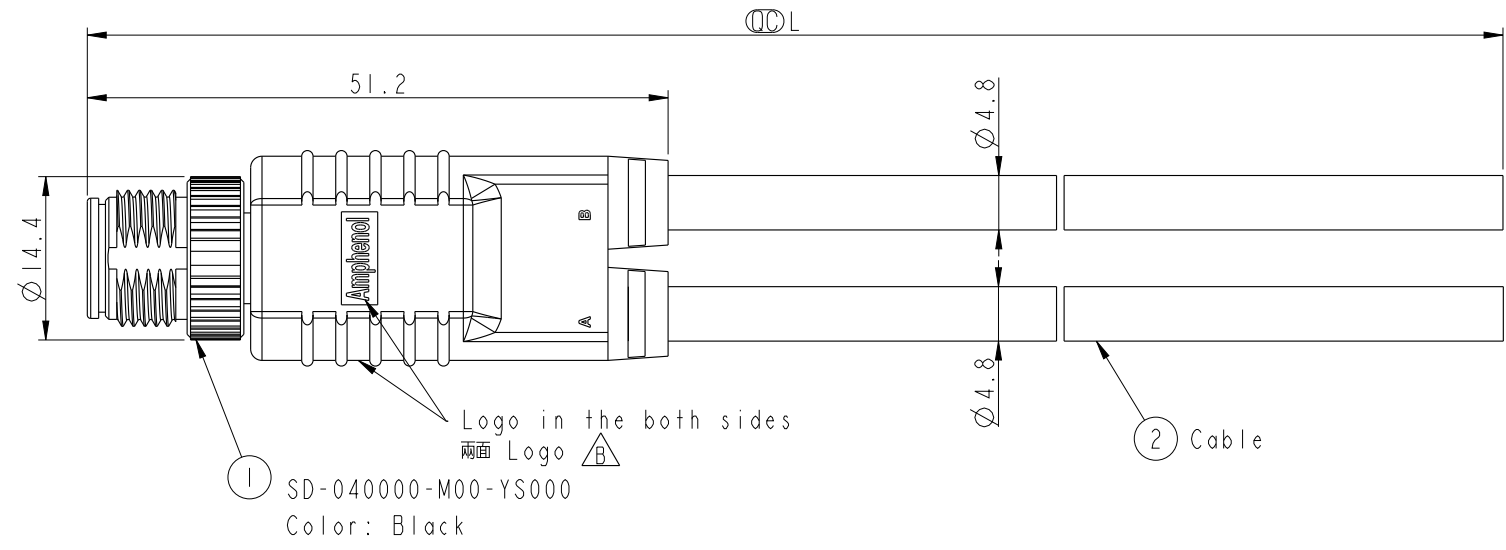
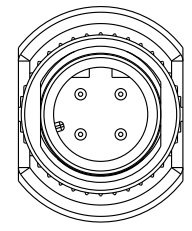


THIS DOCUMENT IS SUBJECT TO CHANGE WITHOUT NOTICE. IT IS CONFIDENTIAL AND A PROPERTY OF Amphenol LTW. DISCLOSURE TO THIRD PARTY HAS TO BE AUTHORIZED BY Amphenol LTW.

REV.	ECN NO.	DATE	SIGN	DESCRIPTION
B	LEN13B0145~48	2013/08/10	Cary	Change Logo To Amphenol



Pin Assignments  
Front View

4	Black	Black
3	Blue	Blue
2	White	White
1	Brown	Brown
	A	B
Conn.	Wire Color	
	Pin Out	

SD-040000-M00-YSBXX

XX:01~99Meter  
01:01Meter  
02:02Meters  
...  
99:99Meters  
Cable Length(L):01~99Meters

Note:  
 \*  $\varnothing$  Important Dimension.  
 $\triangle B$ \* Waterproof Rate:IP68  
 IP68:1M Depth Of Water In 24hours.  
 \* Housing:PU,Black  
 \* Male Pin: Phosphor Bronze,Gold Plated  
 \* Cable: NO HALOGEN 22AWG\*4C+INSULATION  
 PU Jacket UV Resistant,OD=4.8mm ,Black  
 $\triangle B$ \* Cable Length Tolerance:01M:±40mm  
 02M~05M:±60mm  
 06M~10M:±100mm  
 11M~30M:±200mm  
 31M~99M:±500mm

UNIT:mm TOLERANCE ±0.5mm	TITLE M12 D 4Pin M Conn. M Pin,Y Cable		<h1>Amphenol LTW</h1> 安費諾亮泰企業股份有限公司	ITEM NO	DRAWN BY Cary_liu	DATE 2013-08-10	
	SCALE 1:1	SIZE A4		SHEET 1	DWG NO SD-040000-M00-YSBXX	CHECKED BY Mafei	DATE 2013-08-10
	REV. B	WC-REV. A.1		$\varnothing$ : Inspection item	CUSTOMER ALTW	APPROVED BY Victor	DATE 2013-08-10