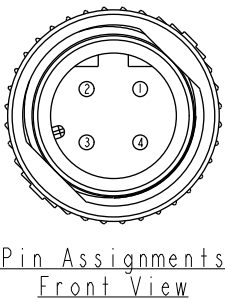
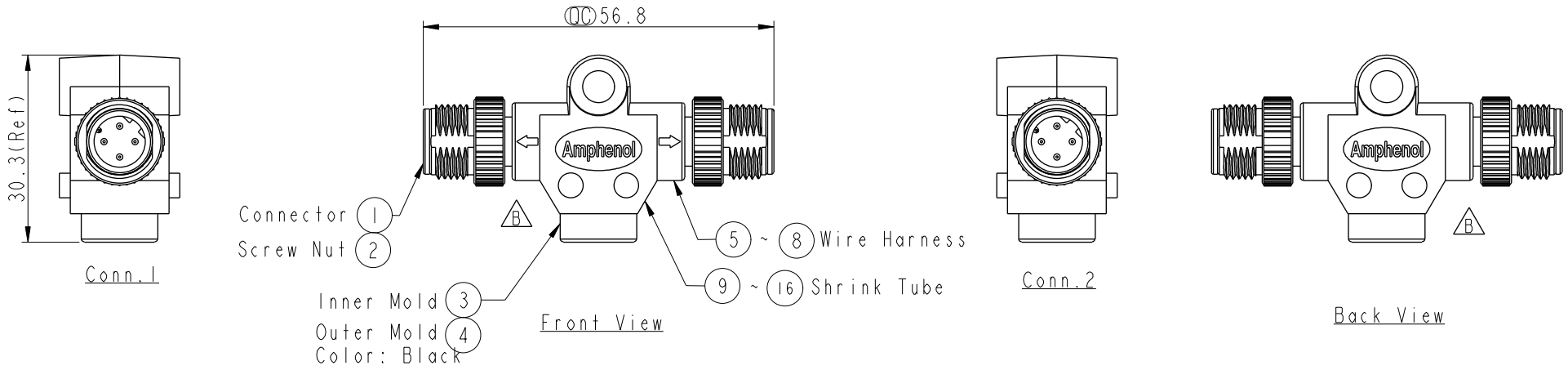
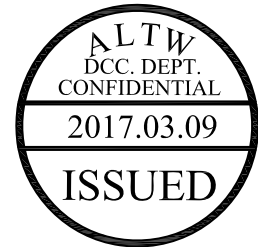


THIS DOCUMENT IS SUBJECT TO CHANGE WITHOUT NOTICE. IT IS CONFIDENTIAL AND A PROPERTY OF Amphenol LTW. DISCLOSURE TO THIRD PARTY HAS TO BE AUTHORIZED BY Amphenol LTW.

REV.	ECN NO.	DATE	SIGN	DESCRIPTION
B	LEN1730051	2017/03/06	Ruru	Change Logo & Outer Mold Design



Green	綠	4	4
Blue	藍	3	3
White	白	2	2
Black	黑	1	1
Wire Color		Conn.1	Conn.2



Note:  
 \* (M) Important Dimension  
 \* Waterproof Rate: IP67  
 \* Connector: TPU, Black  
 \* Male Pin: Copper Alloy, Gold Plated  
 \* Screw Nut: Zinc Alloy, Nickel Plated  
 \* Wire Harness: UL1007 24AWG, 4PCS

UNIT:mm TOLERANCE ± 0.5mm	TITLE M12 Conn 1 Adaptor Screw MM Conn MM Pin			Amphenol LTW 安費諾亮泰企業股份有限公司	ITEM NO SD-000404-0MM-IS001	DRAWN BY Ruru	DATE 2017-03-06
	SCALE 1:1	SIZE A4	SHEET 1 OF 1		DWG NO SD-000404-0MM-IS001	CHECKED BY Rita	DATE 2017-03-06
	REV. B	WC-REV. A.1	(M): Inspection item		CUSTOMER ALTW	APPROVED BY Max	DATE 2017-03-06