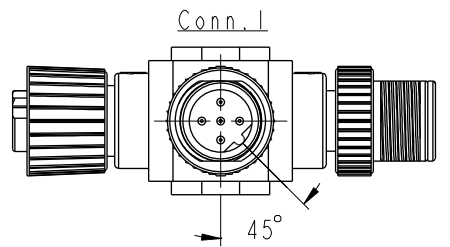
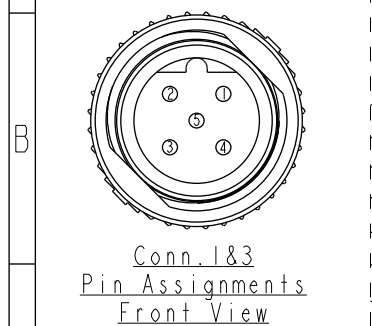
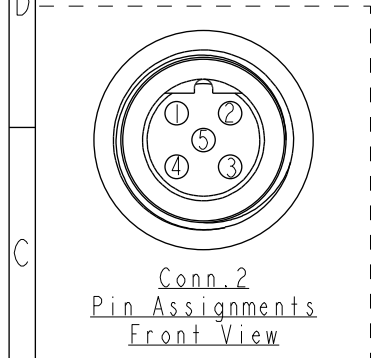
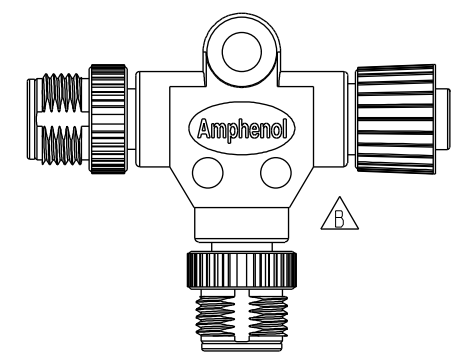
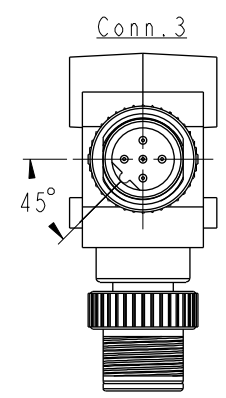
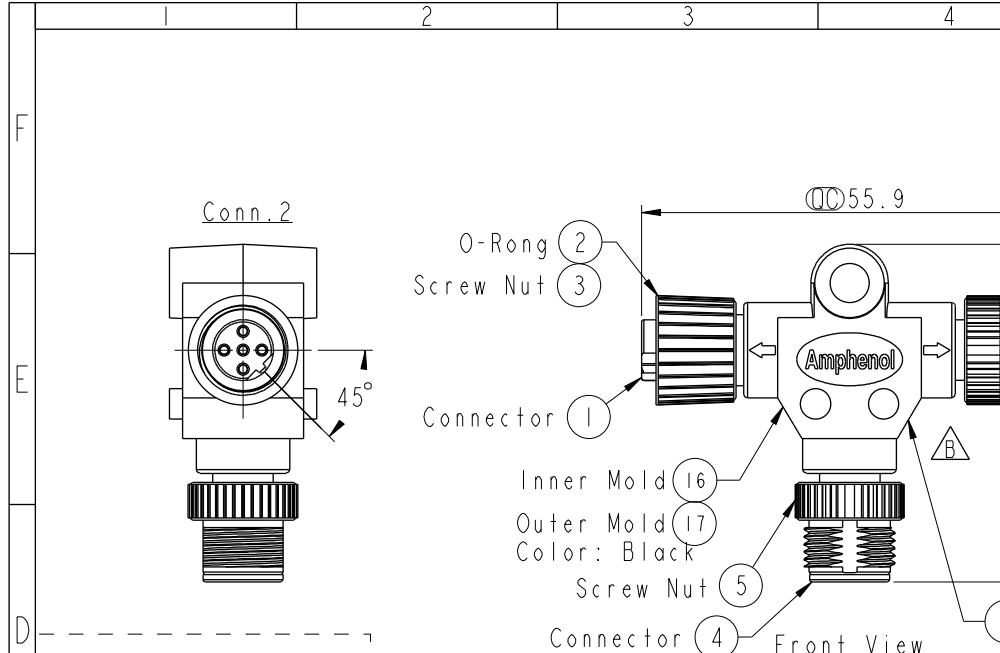


REV.	ECN NO.	DATE	SIGN	DESCRIPTION
B	LEN1730049	2017/03/06	Ruru	Change Logo & Outer Mold Design

THIS DOCUMENT IS SUBJECT TO CHANGE WITHOUT NOTICE. IT IS CONFIDENTIAL AND A PROPERTY OF Amphenol LTW. DISCLOSURE TO THIRD PARTY HAS TO BE AUTHORIZED BY Amphenol LTW.



Blue (24AWG) 藍	5	5	5
White (24AWG) 白	4	4	4
Black (22AWG) 黑	3	3	3
Red (22AWG) 紅	2	2	2
Green (24AWG) 綠	1	1	1
Wire Color	Conn. 1	Conn. 2	Conn. 3

- Note:
- * \varnothing Important Dimension
 - * Waterproof Rate: IP68
In 1 meter water within 24 hours
 - * Connector: PU, Black
 - * O- Ring: Viton, Green
 - * Screw Nut: Zinc Alloy, Nickel Plated
 - * Pin: Copper Alloy, Gold Plated
 - * Wire Harness: UL1061 24AWG, Green, White, Blue
 - * Wire Harness: UL1061 22AWG, Red, Black

UNIT:mm TOLERANCE $\pm 0.5mm$	TITLE M12 Conn T Adaptor MFM Conn MFM Pin, 5Pin		Amphenol LTW 安費諾亮泰企業股份有限公司		ITEM NO SB-050505-MFM-TS001	DRAWN BY Ruru	DATE 2017-03-06		
	SCALE 1:1	SIZE A4			SHEET 1	OF 1	DWG NO SB-050505-MFM-TS001	CHECKED BY Rita	DATE 2017-03-06
	REV. B	WC-REV. A.2			\varnothing : Inspection item		CUSTOMER ALTW	APPROVED BY Max	DATE 2017-03-06