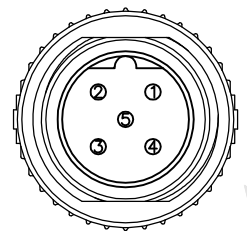
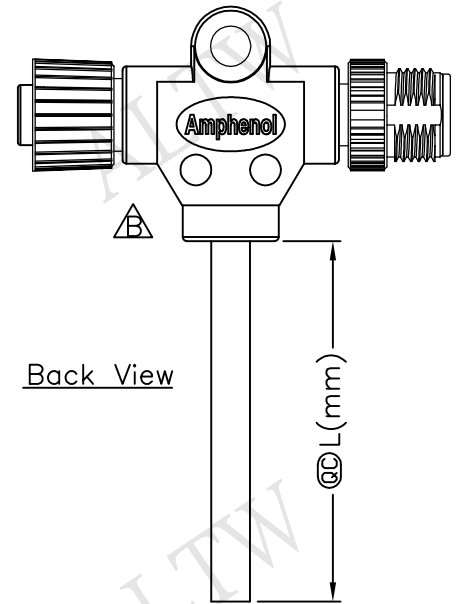
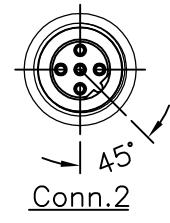
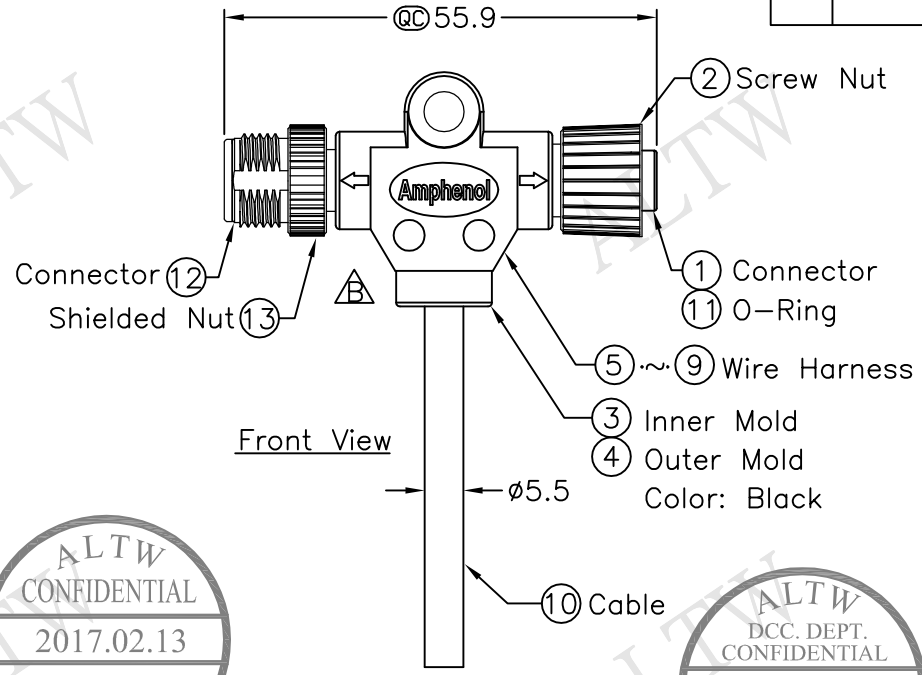
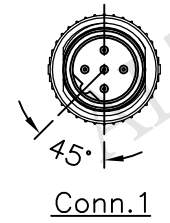
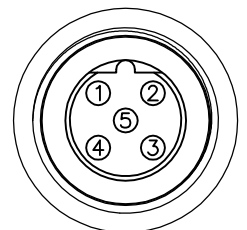


REV.	ECN NO.	DATE	SIGN	DESCRIPTION
B	LEN1720248~252	2017/02/13	Ruru	Change Logo & Outer Mold Design & Note

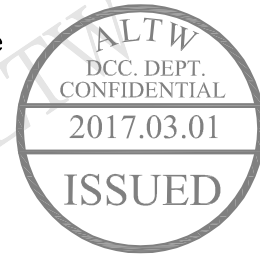
THIS DOCUMENT IS SUBJECT TO CHANGE WITHOUT NOTICE. IT IS CONFIDENTIAL AND A PROPERTY OF Amphenol LTW. DISCLOSURE TO THIRD PARTY HAS TO BE AUTHORIZED BY Amphenol LTW.



Conn.1  
Pin Assignments  
Front View



Conn.2  
Pin Assignments  
Front View



SB-050500-MF0-TSAXX

XX:01~99Meter  
01:01Meter  
02:02Meters  
:  
:  
99:99Meters

Cable Length(L):01~99Meters

- Note:
- \* QC Important Dimension.
  - \* Waterproof Rate: IP68
  - \* Housing: Black, Polyurethane
  - \* Shielded Nut: Zinc Alloy, Nickel Plated
  - \* Screw Nut: Zinc Alloy, Nickel Plated
  - \* Male Pin: Copper Alloy, Gold Plated
  - \* Female Pin: Copper Alloy, Gold Plated
  - \* Wire Harness: UL1007 24AWG, 5Pcs
  - \* Cable: UL2464 22AWG\*5C+TALCUM Black, PVC Jacket UV Resistant OD=5.5mm
  - \* Cable Length Tolerance: 01M: ±40mm  
02M~05M: ±60mm  
06M~10M: ±100mm  
11M~30M: ±200mm  
31M~99M: ±500mm

5	Green	綠	5
4	Black	黑	4
3	Blue	藍	3
2	White	白	2
1	Brown	棕	1
Conn.1	Wire Color		Conn.2
Pin Out			

UNIT:mm	
TOLERANCE	±0.5 mm

TITLE		M12B Conn	
T Cable Screw MF Conn MF Pin			
SCALE	Free	SHEET	1 OF 1
REV.	B	SIZE	A4
		QC	:Inspection Item

**Amphenol LTW**  
安費諾亮泰企業股份有限公司

ITEM NO	
DWG NO	SB-050500-MF0-TSAXX
CUSTOMER	ALTW

DRAWN BY	Ruru
CHECKED BY	Rita
APPROVED BY	Max

DATE	2017/02/13
DATE	2017/02/13
DATE	2017/02/13