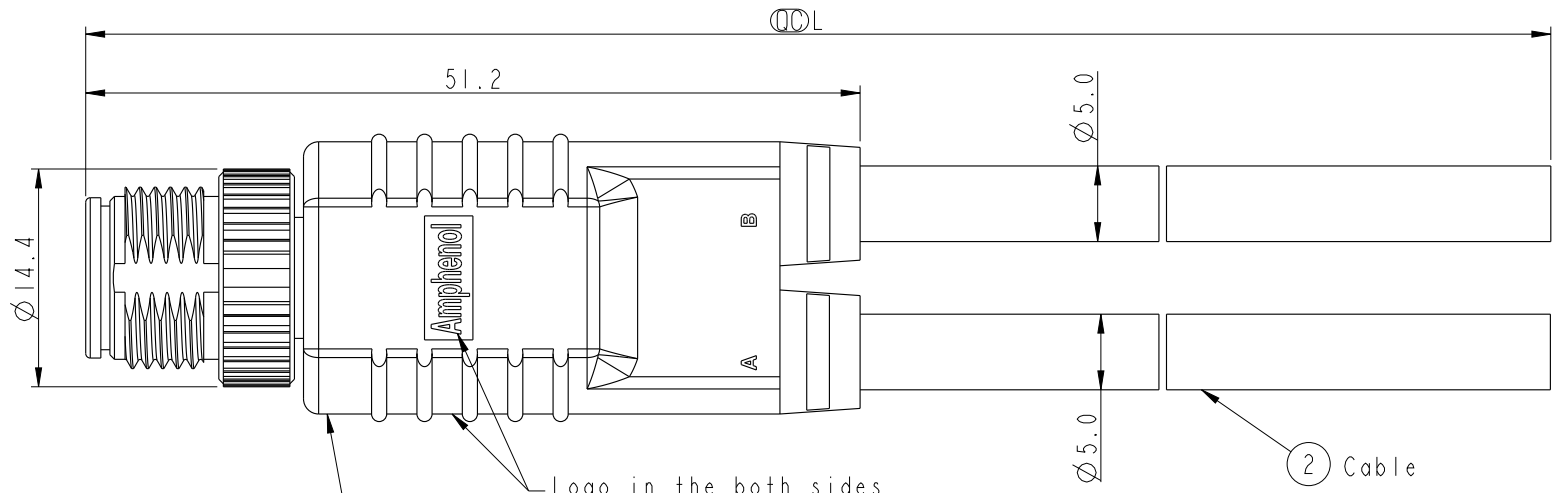
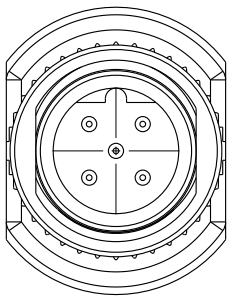


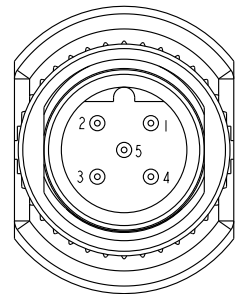
REV.	ECN NO.	DATE	SIGN	DESCRIPTION
B	LEN13B0155~58	2013/08/10	Cary	Change Logo To Amphenol



① SB-050000-M00-YS000  
Color: Black

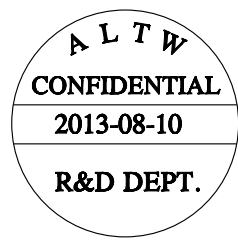
Logo in the both sides  
兩面 Logo

SD-050000-M00-YSBXX  
XX: 01~99Meter  
01: 01Meter  
02: 02Meters  
...  
99: 99Meters  
Cable Length(L): 01~99Meters



Pin Assignments  
Front View

5	Green	綠	Green
4	Black	黑	Black
3	Blue	藍	Blue
2	White	白	White
1	Brown	棕	Brown
	A		B
Conn.	Wire Color		
	Pin Out		



- Note:
- \*  $\text{CC}$  Important Dimension.
  - \*  $\triangle B$  Waterproof Rate: IP68  
IP68: 1M Depth Of Water In 24hours.
  - \* Housing: PU, Black
  - \* Male Pin: Copper Alloy, Gold Plated
  - \* Screw Nut: Zn Alloy, Nicked Plated
  - \* Cable: NO HALOGEN 22AWG\*5C+T,  
Black, PU Jacket, UV Resistant, OD=5.0mm
  - \*  $\triangle B$  Cable Length Tolerance: 01M:  $\pm 40$ mm  
02M~05M:  $\pm 60$ mm  
06M~10M:  $\pm 100$ mm  
11M~30M:  $\pm 200$ mm  
31M~99M:  $\pm 500$ mm

UNIT:mm		TITLE	M12 B 5Pin M Conn. M Pin,Y Cable		ITEM NO	SB-050000-M00-YSBXX	DRAWN BY	Cary_liu	DATE	2013-08-10	
TOLERANCE	$\pm 0.5$ mm	SCALE	2:1	SIZE	A4	SHEET	1	OF	1	DATE	2013-08-10
REV.	B	WC-REV.	A.1	$\text{CC}$	Inspection item	CUSTOMER	ALTW	APPROVED BY	Victor	DATE	2013-08-10
<h1>Amphenol LTW</h1> <p>安費諾亮泰企業股份有限公司</p>											

THIS DOCUMENT IS SUBJECT TO CHANGE WITHOUT NOTICE. IT IS CONFIDENTIAL AND A PROPERTY OF Amphenol LTW. DISCLOSURE TO THIRD PARTY HAS TO BE AUTHORIZED BY Amphenol LTW.