

REV.	ECN NO.	DATE	SIGN	DESCRIPTION
B	LEN13B0150~53	2013/09/03	Cary	Change Logo From LTW To Amphenol

1 2 3 4 5 6 7 8

F

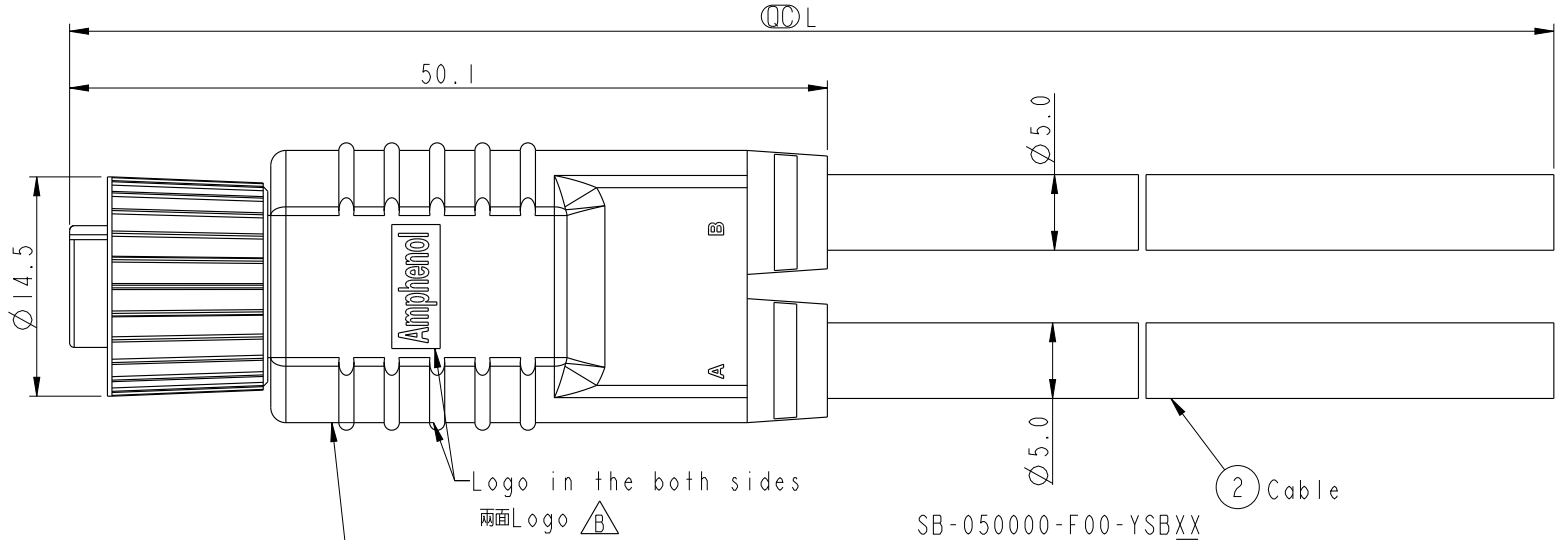
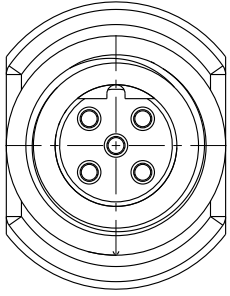
E

D

C

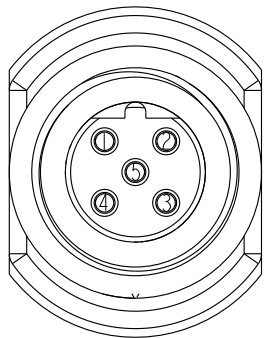
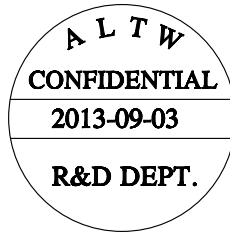
B

A



① SB-050000-F00-YS000
Color: Black

② Cable
SB-050000-F00-YSBXX
XX:01~99Meter
01:01Meter
02:02Meters
...
99:99Meters
Cable Length(L):01~99Meters



Pin Assignments
Front View

5	Green	Green	綠
4	Black	Black	黑
3	Blue	Blue	藍
2	White	White	白
1	Brown	Brown	棕
	A	B	
Conn.	Wire Color		
	Pin Out		

Note:

- * \varnothing Important Dimension.
- * $\triangle B$ Waterproof Rate: IP68
IP68: 1M Depth Of Water In 24hours.
- * Housing: PU, Black
- * Female Pin: Phosphor Bronze, Gold Plated
- * O-Ring: Viton, Green
- * Screw Nut: Zn Alloy, Nicked Plated
- * Cable: NO HALOGEN 22AWG*5C+T,
Black, PU Jacket, UV Resistant, OD=5.0mm
- * $\triangle B$ Cable Length Tolerance: 01M: ± 40 mm
02M~05M: ± 60 mm
06M~10M: ± 100 mm
11M~30M: ± 200 mm
31M~99M: ± 500 mm

UNIT: mm		TITLE M12 B 5Pin F Conn. F Pin, Y Cable	Amphenol LTW		ITEM NO SB-050000-F00-YSBXX	DRAWN BY Cary_liu	DATE 2013/09/03
TOLERANCE ± 0.5 mm		SCALE 2:1	SIZE A4	SHEET 1 OF 1	CUSTOMER ALTW	CHECKED BY Tom_gu	DATE 2013/09/03
		REV. B	WC-REV. A.2	\varnothing : Inspection item		APPROVED BY Victor	DATE 2013/09/03

Amphenol LTW
安費諾亮泰企業股份有限公司

THIS DOCUMENT IS SUBJECT TO CHANGE WITHOUT NOTICE. IT IS CONFIDENTIAL AND A PROPERTY OF Amphenol LTW. DISCLOSURE TO THIRD PARTY HAS TO BE AUTHORIZED BY Amphenol LTW.