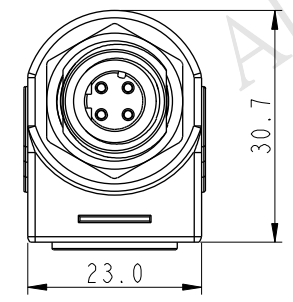
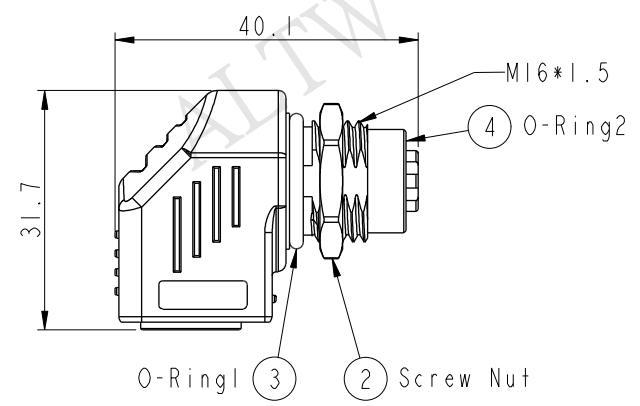
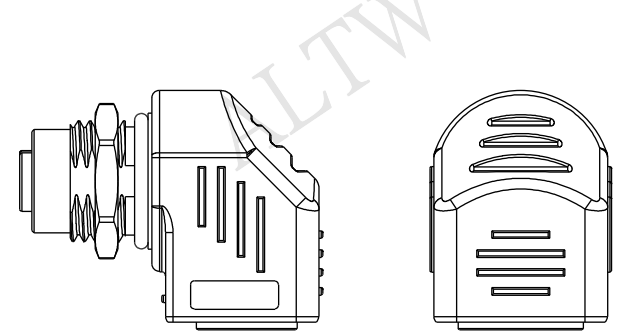
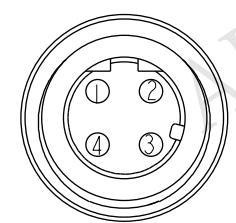
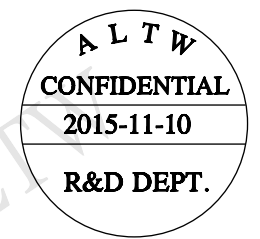


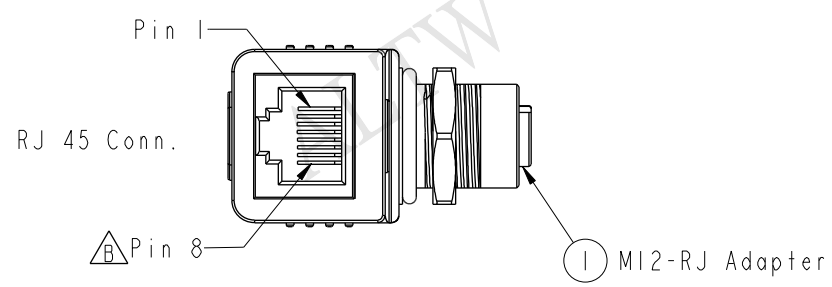
REV.	ECN NO.	DATE	SIGN	DESCRIPTION
A	Initial Release	2014/06/09	Tony_leng	Change Rev.01 To Rev.A
B	LEN15B0084	2015/11/10	Arvin	Change Drawing



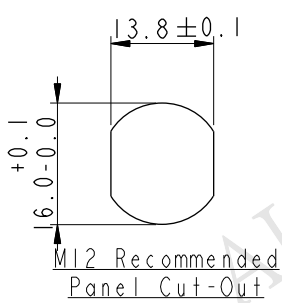
M12 Conn.



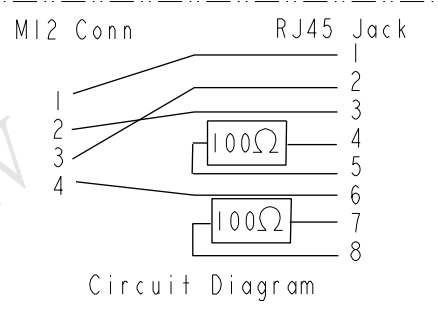
Pin Assignments  
Front View



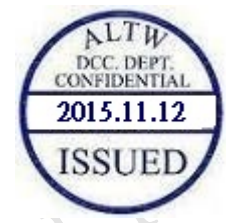
RJ 45 Conn.



M12 Recommended  
Panel Cut-Out



Circuit Diagram



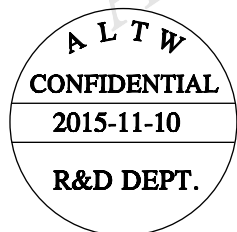
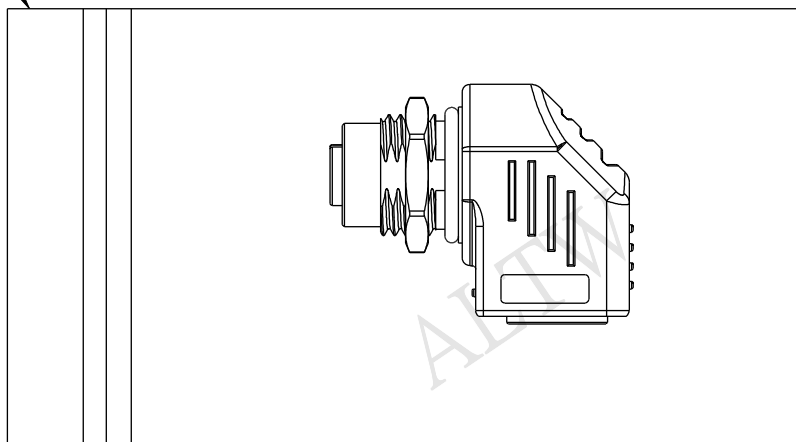
- Note:
- \* (C) Important Dimension
  - \* Waterproof Rate: IP65(MOLDING)
  - \* Waterproof Rate: IP68(M12)  
(Under Water 1M 24 hours)
  - \* Pin: Copper Alloy, Gold Plated
  - \* Nut: Zinc Alloy, Nickel Plated
  - \* Shield: Copper Alloy, Nickel Plated
  - \* O-Ring1: Silicone, UL94V-0, Gray.
  - \* O-Ring2: Silicone, UL94V-0, Gray.
  - \* Jack: PBT, Black.
  - \* Housing: Nylon+GF, Black.
  - \* Panel Thickness Max: 5.0mm

A	UNIT: mm	TITLE ADAPTOR, SHIELDED M12 D CODE TO RJ45		Amphenol LTW 安費諾亮泰企業股份有限公司		ITEM NO RJS-12D04FF-RS8002	DRAWN BY Arvin	DATE 2015-11-10
	TOLERANCE ±0.5mm	SCALE 1:1	SIZE A4	SHEET 1 OF 2		DWG NO RJS-12D04FF-RS8002	CHECKED BY Jimmy	DATE 2015-11-10
		REV. B	WC-REV. A.3	(C) Inspection item		CUSTOMER ALTW	APPROVED BY Lisa	DATE 2015-11-10

THIS DOCUMENT IS SUBJECT TO CHANGE WITHOUT NOTICE. IT IS CONFIDENTIAL AND A PROPERTY OF AMPHENOL LTW. DISCLOSURE TO THIRD PARTY HAS TO BE AUTHORIZED BY AMPHENOL LTW.

THIS DOCUMENT IS SUBJECT TO CHANGE WITHOUT NOTICE. IT IS CONFIDENTIAL AND A PROPERTY OF AMPHENOL LTW. DISCLOSURE TO THIRD PARTY HAS TO BE AUTHORIZED BY AMPHENOL LTW.

Zipper Bag (5)



\* 1 Product With 1 Zipper Bag

UNIT:mm TOLERANCE ±0.5mm	 		TITLE ADAPTOR, SHIELDED M12 D CODE TO RJ45		<h1>Amphenol LTW</h1> <p>安費諾亮泰企業股份有限公司</p>	ITEM NO RJS-12D04FF-RS8002	DRAWN BY Arvin	DATE 2015-11-10
	SCALE 1:1	SIZE A4	SHEET 2	OF 2		DWG. NO RJS-12D04FF-RS8002	CHECKED BY Jimmy	DATE 2015-11-10
	REV. B	WC-REV. A.2	QC: Inspection item			CUSTOMER ALTW	APPROVED BY Lisa	DATE 2015-11-10