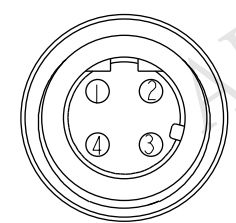
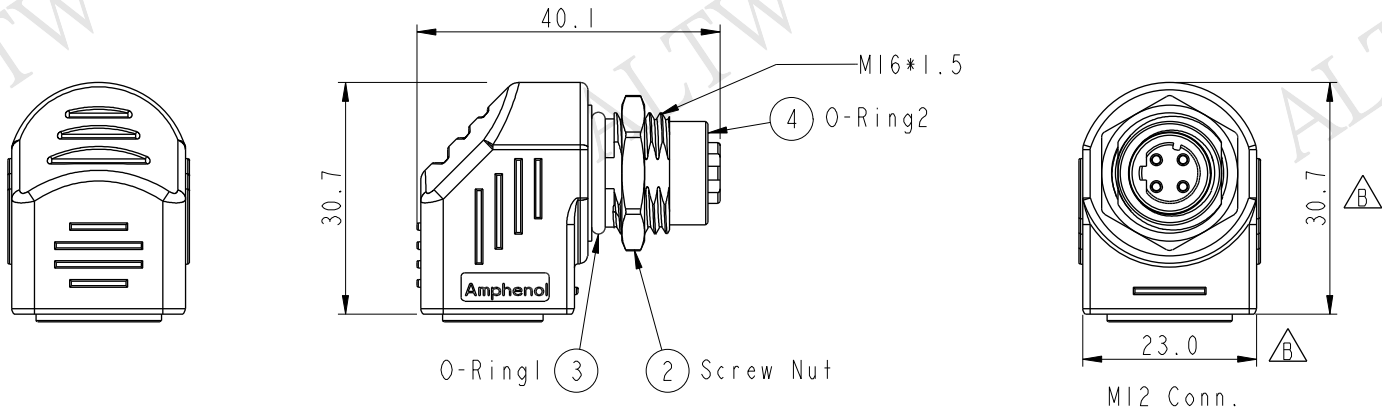
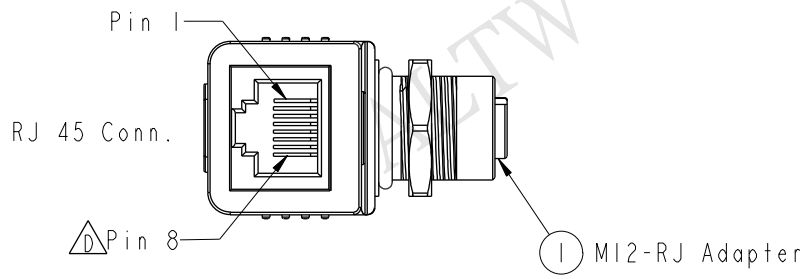


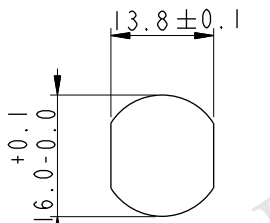
REV.	ECN NO.	DATE	SIGN	DESCRIPTION
B	LE31350016	2013-04-22	Lu Di	Update The Dimensions & Pin Out
C	LE31460010	2014-05-26	Tony_leng	Change O-Ring
D	LEN15B0081	2015-11-10	Arvin	Change Drawing



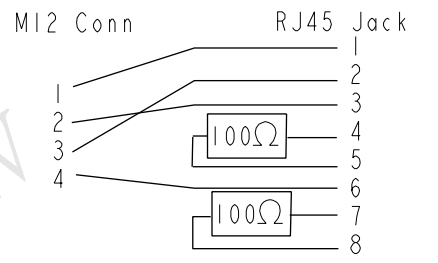
Pin Assignments  
Front View



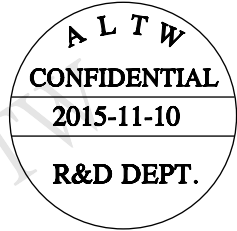
RJ 45 Conn.



M12 Recommended  
Panel Cut-Out



Circuit Diagram



- Note:
- \*  $\text{CC}$  Important Dimension
  - \* Waterproof Rate: IP65(MOLDING)
  - \* Waterproof Rate: IP68(M12)  
(Under Water 1M 24 hours)
  - \* Pin: Copper Alloy, Gold Plated
  - \* Nut: Zinc Alloy, Nickel Plated
  - \* Shield: Copper Alloy, Nickel Plated
  - \* O-Ring1: Silicone, UL94V-0, Gray.
  - \* O-Ring2: Silicone, UL94V-0, Gray.
  - \* Jack: PBT, Black.
  - \* Housing: Nylon+GF, Black.
  - \* Panel Thickness Max: 5.0mm

UNIT: mm	
TOLERANCE	$\pm 0.5\text{mm}$

TITLE ADAPTOR, SHIELDED M12 D CODE TO RJ45			
SCALE 1:1	SIZE A4	SHEET 1 OF 2	
REV. D	WC-REV. B.3	$\text{CC}$ : Inspection item	

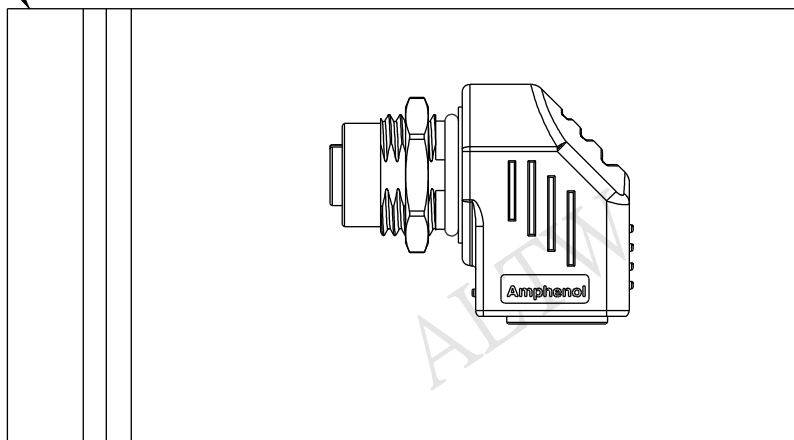
**Amphenol LTW**  
安費諾亮泰企業股份有限公司

ITEM NO. RJS-12D04FF-RS8001	DRAWN BY Arvin	DATE 2015-11-10
DWG NO. RJS-12D04FF-RS8001	CHECKED BY Jimmy	DATE 2015-11-10
CUSTOMER ALTW	APPROVED BY Lisa	DATE 2015-11-10

THIS DOCUMENT IS SUBJECT TO CHANGE WITHOUT NOTICE. IT IS CONFIDENTIAL AND A PROPERTY OF Amphenol LTW. DISCLOSURE TO THIRD PARTY HAS TO BE AUTHORIZED BY Amphenol LTW.

THIS DOCUMENT IS SUBJECT TO CHANGE WITHOUT NOTICE. IT IS CONFIDENTIAL AND A PROPERTY OF Amphenol LTW. DISCLOSURE TO THIRD PARTY HAS TO BE AUTHORIZED BY Amphenol LTW.

Zipper Bag (5)



**ALTW**  
 CONFIDENTIAL  
 2015-11-10  
 R&D DEPT.

**ALTW**  
 DCC. DEPT.  
 CONFIDENTIAL  
 2015.11.12  
 ISSUED

\* 1 Product With 1 Zipper Bag

A	UNIT:mm		TITLE ADAPTOR, SHIELDED M12 D CODE TO RJ45			ITEM NO	DRAWN BY	DATE
	TOLERANCE		SCALE	SIZE	SHEET	RJS-12D04FF-RS8001	Arvin	2015-11-10
	±0.5mm		1:1	A4	2 OF 2	RJS-12D04FF-RS8001	Jimmy	2015-11-10
	REV.	WC-REV.	(QC): Inspection item			CUSTOMER	APPROVED BY	DATE
	D	B.3				ALTW	Lisa	2015-11-10
			<h2 style="margin: 0;">Amphenol LTW</h2> <p style="margin: 0;">安費諾亮泰企業股份有限公司</p>					