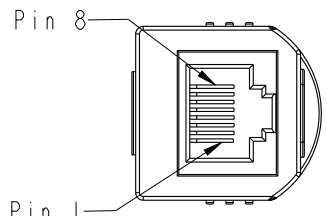
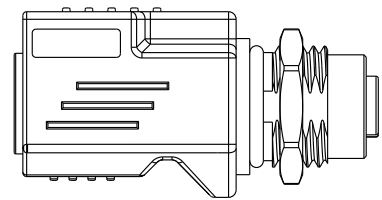
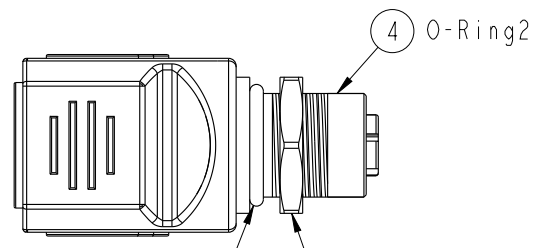


REV.	ECN NO.	DATE	SIGN	DESCRIPTION

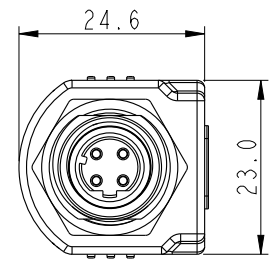
THIS DOCUMENT IS SUBJECT TO CHANGE WITHOUT NOTICE. IT IS CONFIDENTIAL AND A PROPERTY OF AMPHENOL LTW. DISCLOSURE TO THIRD PARTY HAS TO BE AUTHORIZED BY AMPHENOL LTW.



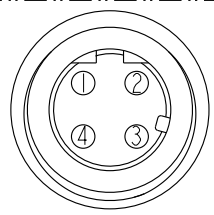
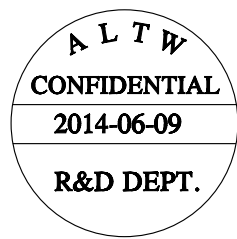
RJ45 Conn.



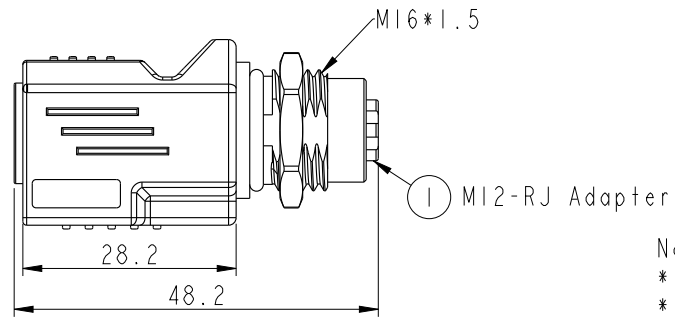
O-Ring1 (3) O-Ring2 (4) Screw Nut (2)



M12 Conn.

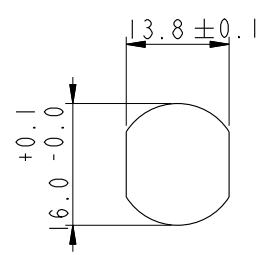


Pin Assignments Front View

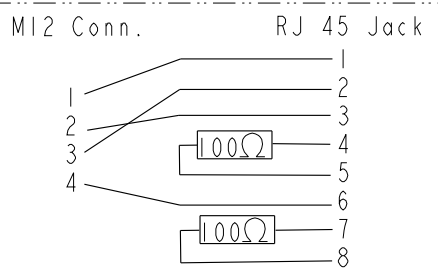


Note:

- * \varnothing Important Dimension
- * Waterproof Rate: IP65(MOLDING)
- * Waterproof Rate: IP68(M12)
(Under Water 1M 24 hours)
- * Pin: Copper Alloy, Gold Plated
- * Nut: Zinc Alloy, Nickel Plated
- * Shield: Copper Alloy, Nickel Plated
- * O-Ring1: Silicone, UL94V-0, Gray.
- * O-Ring2: Silicone, UL94V-0, Gray.
- * Jack: PBT, Black.
- * Housing: Nylon+GF, Black.
- * Panel Thickness Max: 5.0mm



M12 Recommended Panel Cut-Out



Circuit Diagram

UNIT: mm	
TOLERANCE	±0.5mm

TITLE ADAPTOR, SHIELDED M12 D CODE TO RJ45			
SCALE 1:1	SIZE A4	SHEET 1 OF 2	
REV. A	WC-REV. A.1	QC: Inspection item	

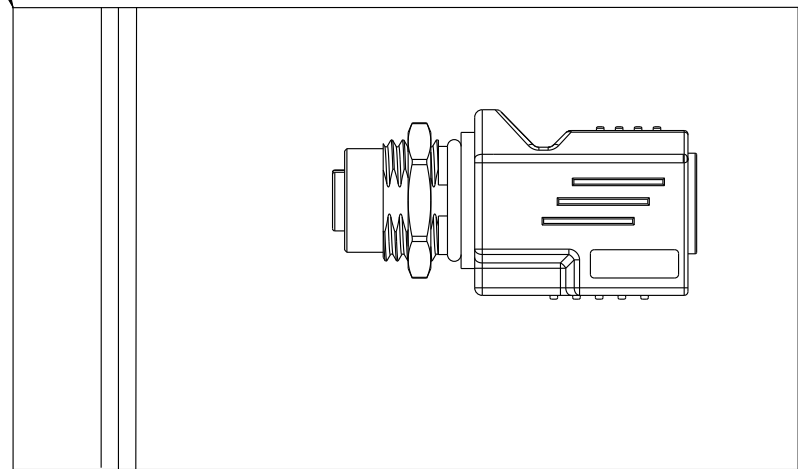
Amphenol LTW
安費諾亮泰企業股份有限公司

ITEM NO. RJS-12D04FF-LS8002	DRAWN BY Tony_leng	DATE 2014-06-09
DWG NO. RJS-12D04FF-LS8002	CHECKED BY Jimmy	DATE 2014-06-09
CUSTOMER ALTW	APPROVED BY Ja-anne	DATE 2014-06-09

THIS DOCUMENT IS SUBJECT TO CHANGE WITHOUT NOTICE. IT IS CONFIDENTIAL AND A PROPERTY OF AMPHENOL LTW. DISCLOSURE TO THIRD PARTY HAS TO BE AUTHORIZED BY AMPHENOL LTW.

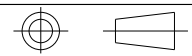


Zipper Bag (5)



* 1 Product With 1 Zipper Bag

UNIT:mm



TOLERANCE
±0.5mm

TITLE ADAPTOR, SHIELDED M12 D CODE TO RJ45			
SCALE 1:1	SIZE A4	SHEET 2 OF 2	
REV. A	WC-REV. A.1	QC: Inspection item	

Amphenol LTW
安費諾亮泰企業股份有限公司

ITEM NO RJS-12D04FF-LS8002	DRAWN BY Tony_leng	DATE 2014-06-09
DWG NO RJS-12D04FF-LS8002	CHECKED BY Jimmy	DATE 2014-06-09
CUSTOMER ALTW	APPROVED BY Jo-anne	DATE 2014-06-09