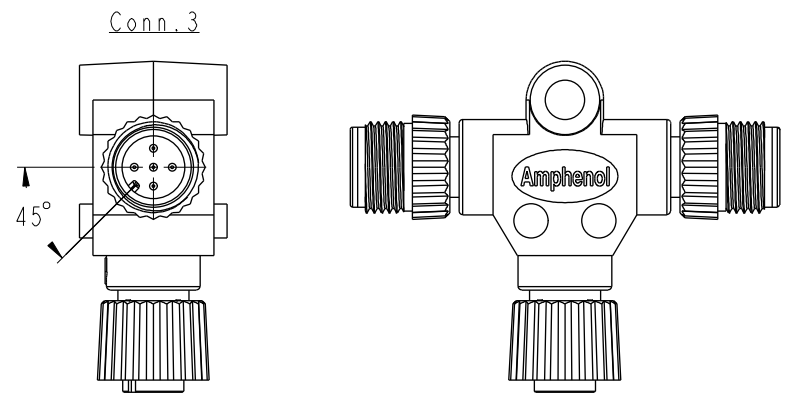
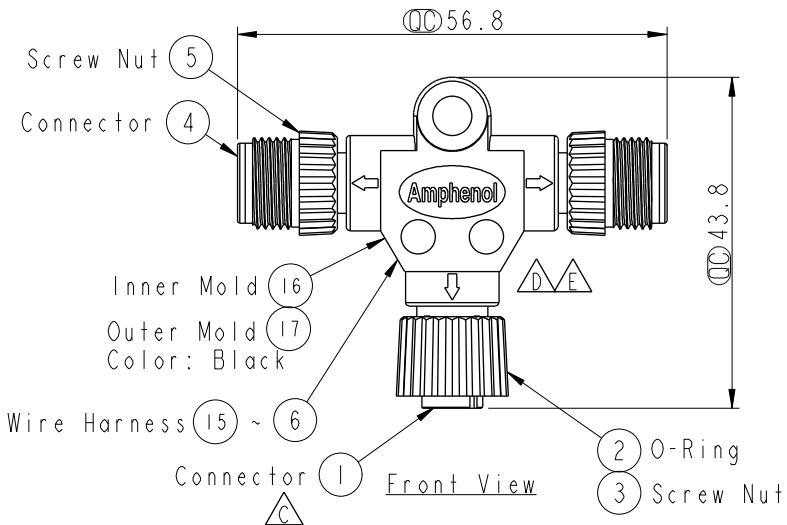
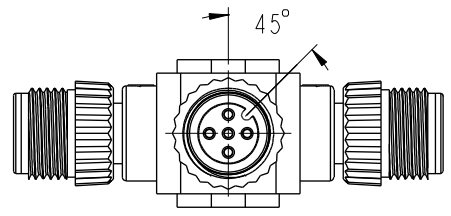
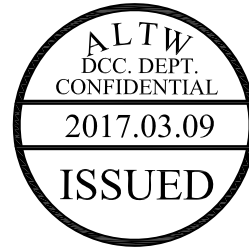


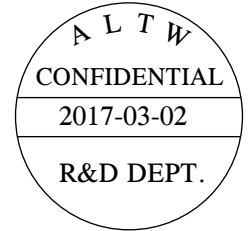
REV.	ECN NO.	DATE	SIGN	DESCRIPTION
C	LE3-910022	2009/01/06	Vicky	Modify the Wire Harness
D	LEN1350143	2013/05/08	Lu Di	Change Logo
E	LE31730069	2017/03/02	Ruru	Change Outer Mold Design



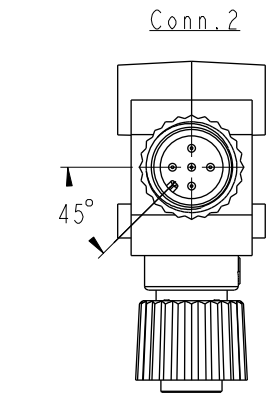
Back View



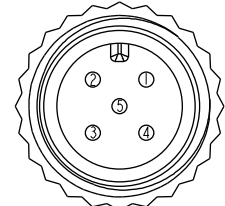
Conn. 1



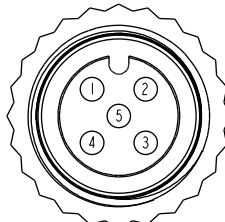
- Note:
- * \varnothing Important Dimension
 - * Waterproof Rate: IP68
In 1 meter water within 24 hours
 - * Connector: PU, Black
 - * O- Ring: Viton, Green
 - * Screw Nut: Nylon+GF, Black
 - * Pin: Copper Alloy, Gold Plated
 - * Wire Harness: UL1061 24AWG, Green, White, Blue
 - * Wire Harness: UL1061 22AWG, Red, Black



Conn. 2



Conn. 2 & 3
Pin Assignments
Front View



Conn. 1
Pin Assignments
Front View

Blue (24AWG)	藍	5	5	5
White (24AWG)	白	4	4	4
Black (22AWG)	黑	3	3	3
Red (22AWG)	紅	2	2	2
Green (24AWG)	綠	1	1	1
Wire Color		Conn. 1	Conn. 2	Conn. 3

\triangle Pin Out

UNIT:mm TOLERANCE $\pm 0.5mm$	TITLE M12 Conn T Adaptor FMM Conn FMM Pin, 5Pin			Amphenol LTW 安費諾亮泰企業股份有限公司	ITEM NO PS-050505-FMM-TS001	DRAWN BY Ruru	DATE 2017-03-02
	SCALE 1:1	SIZE A4	SHEET 1 OF 1		DWG NO PS-050505-FMM-TS001	CHECKED BY Rita	DATE 2017-03-02
	REV. E	WC-REV. A.1	\varnothing : Inspection item		CUSTOMER ALTW	APPROVED BY Max	DATE 2017-03-02

THIS DOCUMENT IS SUBJECT TO CHANGE WITHOUT NOTICE. IT IS CONFIDENTIAL AND A PROPERTY OF Amphenol LTW. DISCLOSURE TO THIRD PARTY HAS TO BE AUTHORIZED BY Amphenol LTW.