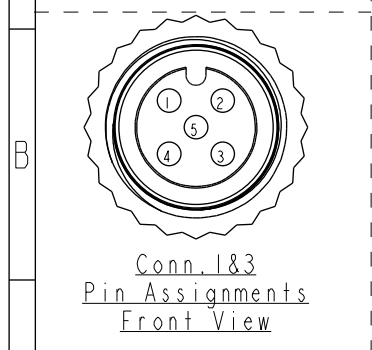
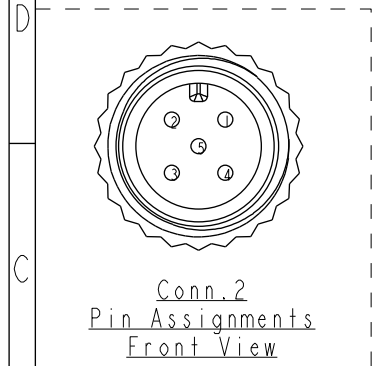
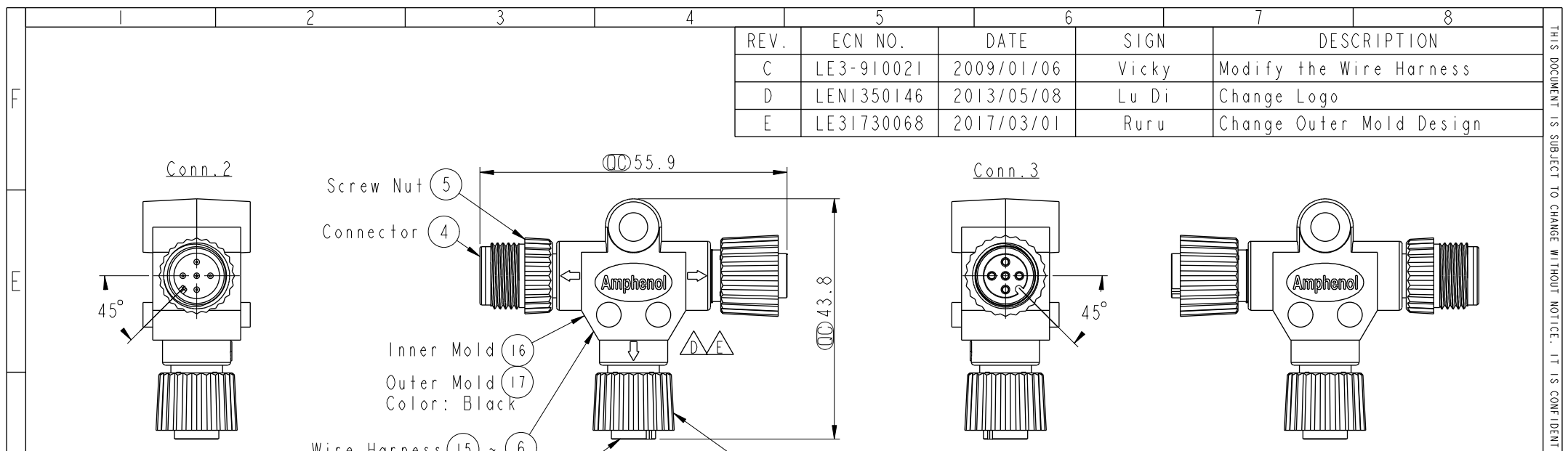
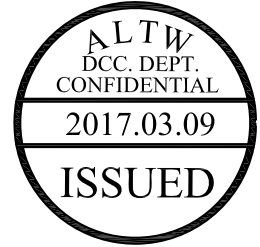


REV.	ECN NO.	DATE	SIGN	DESCRIPTION
C	LE3-910021	2009/01/06	Vicky	Modify the Wire Harness
D	LEN1350146	2013/05/08	Lu Di	Change Logo
E	LE31730068	2017/03/01	Ruru	Change Outer Mold Design



Blue (24AWG) 藍	5	5	5
White (24AWG) 白	4	4	4
Black (22AWG) 黑	3	3	3
Red (22AWG) 紅	2	2	2
Green (24AWG) 綠	1	1	1
Wire Color	Conn.1	Conn.2	Conn.3



- Note:
- * \varnothing Important Dimension
 - * Waterproof Rate: IP68
In 1 meter water within 24 hours
 - * Connector: PU, Black
 - * O- Ring: Viton, Green
 - * Screw Nut: Nylon+GF, Black
 - * Pin: Copper Alloy, Gold Plated
 - * Wire Harness: UL1061 24AWG, Green, White, Blue
 - * Wire Harness: UL1061 22AWG, Red, Black

UNIT:mm TOLERANCE $\pm 0.5mm$	TITLE M12 Conn T Adaptor FMF Conn FMF Pin, 5Pin		Amphenol LTW 安費諾亮泰企業股份有限公司		ITEM NO PS-050505-FMF-TS001	DRAWN BY Ruru	DATE 2017-03-01
	SCALE 1:1	SIZE A4			SHEET 1	OF 1	DWG NO PS-050505-FMF-TS001
REV. E	WC-REV. A.1	\varnothing : Inspection item		CUSTOMER ALTW	APPROVED BY Max	DATE 2017-03-01	

THIS DOCUMENT IS SUBJECT TO CHANGE WITHOUT NOTICE. IT IS CONFIDENTIAL AND A PROPERTY OF Amphenol LTW. DISCLOSURE TO THIRD PARTY HAS TO BE AUTHORIZED BY Amphenol LTW.