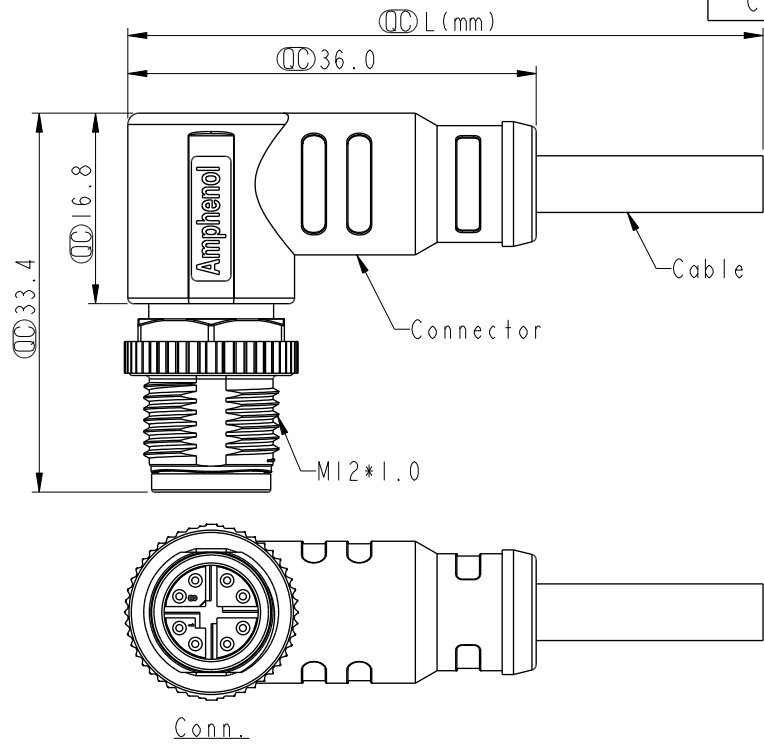


THIS DOCUMENT IS SUBJECT TO CHANGE WITHOUT NOTICE. IT IS CONFIDENTIAL AND A PROPERTY OF Amphenol LTW. DISCLOSURE TO THIRD PARTY HAS TO BE AUTHORIZED BY Amphenol LTW.

REV.	ECN NO.	DATE	SIGN	DESCRIPTION
A	NI90058	2019/10/26	Fu	Change Rev.01 to Rev.A Issue
B	C191901	2019/10/31	Fu	$\triangle B$ X2
C	C210219	2021/03/11	Vicky	$\triangle C$ X2



$\triangle B$  MSXS-XXBMMM-SR7XXX  
 XX: No. Of Pin  
 XX: 01~99Meters  
 01: 01Meter  
 02: 02Meters  
 ...  
 99: 99Meters

$\triangle C$  Note:  
 \* RoHS Compliant  
 \*  $\phi$  Important dimensions  
 \* Waterproof rate: IPX7, mated  
 \* Connector  
 Housing: Thermoplastic, Black  
 Pin: Copper alloy, Gold plated  
 Nut: Metal  
 Shield: Metal  
 Outer Mold: Thermoplastic, Black  
 \* Cable: CAT-6A, S/FTP, 26AWG\*4P+AL+B, LSZH Jacket, OD 6.6mm, Green  
 \* Cable length tolerance: 1M: +50/-0 mm  
 1M < L ≤ 3M: +100/-0 mm  
 3M < L ≤ 5M: +150/-0 mm  
 5M < L ≤ 10M: ±100 mm  
 10M < L ≤ 20M: ±200 mm  
 20M < L ≤ 30M: ±300 mm  
 30M < L ≤ 99M: ±500 mm

Shield	Braid	編織	
8	Blue	藍	Twist
7	White/Blue	白/藍	
6	Brown	棕	Twist
5	White/Brown	白/棕	
4	Green	綠	Twist
3	White/Green	白/綠	
2	Orange	橘	Twist
1	White/Orange	白/橘	

8P

Pin Assignment Front View	Conn.	Wire Color	Pin Out

UNIT:mm		TITLE	<b>N SEN, M12 X -SHLD, SCREW CABLE W/O SR, M, M, MOLDING</b>	
TOLERANCE	±0.5mm	SCALE		3:2
		SIZE		A4
		REV.	C	
		WC-REV.		
		$\phi$	Inspection item	

**Amphenol LTW**  
 安費諾亮泰企業股份有限公司

ITEM NO	DRAWN BY	DATE
	Fu	2019-10-26
DWG NO	CHECKED BY	DATE
MSXS-XXBMMM-SR7XXX	Feng li	2019-10-26
CUSTOMER	APPROVED BY	DATE
ALTW	Jerry	2019-10-26