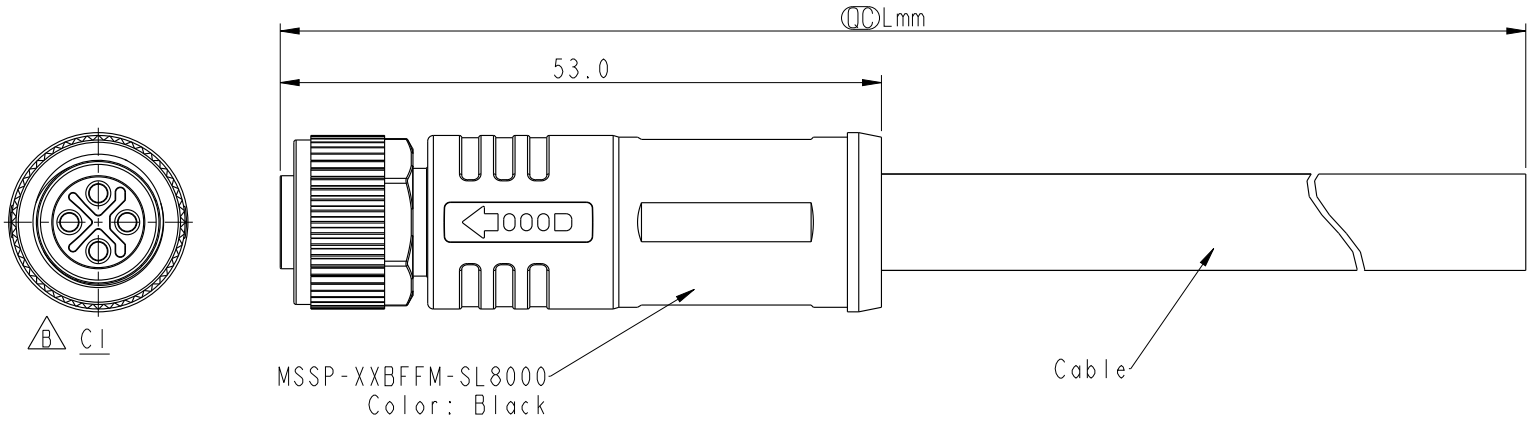
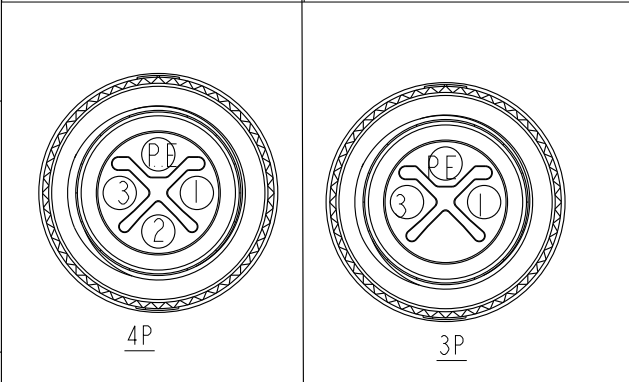


THIS DOCUMENT IS SUBJECT TO CHANGE WITHOUT NOTICE. IT IS CONFIDENTIAL AND A PROPERTY OF AMPHENOL LTW. DISCLOSURE TO THIRD PARTY HAS TO BE AUTHORIZED BY AMPHENOL LTW.

| REV. | ECN NO. | DATE | SIGN | DESCRIPTION |
|------|---------|------------|-----------|-----------------|
| A | | 2021/03/04 | Carl Dong | Rev.01 to Rev.A |
| B | C210418 | 2021/03/19 | Carl Dong | △B x1 |



| Pin# | Wire | Pin# | Wire |
|------|-------|------|-------|
| 3 | Blue | 3 | Blue |
| 2 | White | 2 | -- |
| 1 | Brown | 1 | Brown |



Pin Assignments Front View

MSSP-XXBFFM-SL8SXX
 XX: 01~99Meters
 01: 01Meter
 :
 99: 99Meters
 XX: Number of Pin

Note:
 * RoHS Compliant
 * Ⓞ Important Dimension to Check
 * Waterproof Rate: IPX8, Mated 1m/24h
 * Connector:
 Housing: Thermoplastic, Black
 Pin: Copper Alloy, Gold Plated
 Nut: Thermoplastic, Black
 Outer Mold: Thermoplastic, Black
 * Cable: UL20234, 16AWG, PU Jacket, Black
 * Cable Length Tolerance: 01M: +50/-0mm
 1M < L ≤ 3M: +100/-0 mm
 3M < L ≤ 5M: +150/-0 mm
 5M < L ≤ 10M: ±100 mm
 10M < L ≤ 20M: ±200 mm
 20M < L ≤ 30M: ±300 mm
 30M < L ≤ 99M: ±500 mm

| | | | | |
|-----------|--------|---------|--|--------------------|
| UNIT:mm | | TITLE | M12 S-CODE, STRAIGHT, FEMALE CONN +CABLE | |
| TOLERANCE | ±0.5mm | SCALE | 3:2 | SIZE A4 |
| REV. | B | WC-REV. | .0 | Ⓞ: Inspection item |

Amphenol LTW
 安費諾亮泰企業股份有限公司

| | | |
|----------|-------------|------------|
| ITEM NO | DRAWN BY | DATE |
| DWG NO | CHECKED BY | DATE |
| CUSTOMER | APPROVED BY | DATE |
| ALTW | Max Yang | 2021-03-03 |