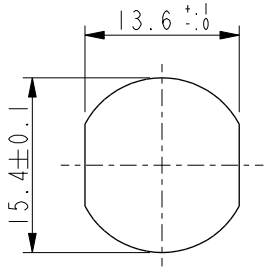
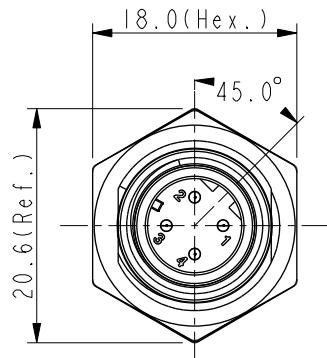
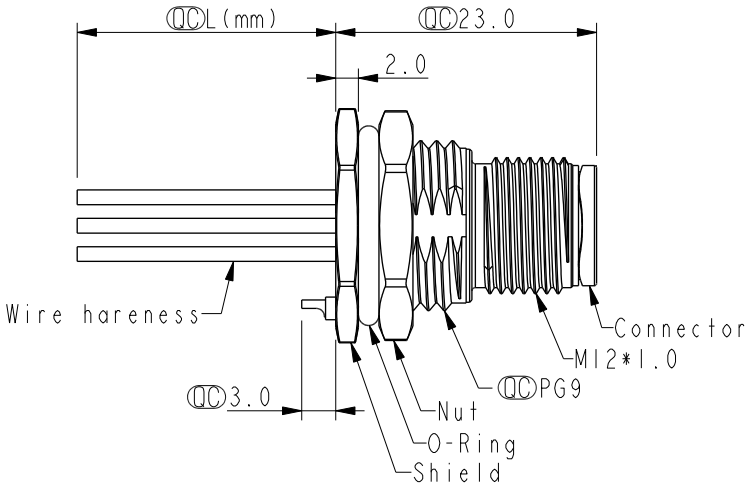
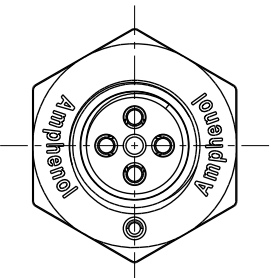


THIS DOCUMENT IS SUBJECT TO CHANGE WITHOUT NOTICE. IT IS CONFIDENTIAL AND A PROPERTY OF Amphenol LTW. DISCLOSURE TO THIRD PARTY HAS TO BE AUTHORIZED BY Amphenol LTW.

REV.	ECN NO.	DATE	SIGN	DESCRIPTION
C	C201548	2020/10/14	Vicky	X3
D	C210084	2021/01/18	Vicky	X2
E	C210241	2021/04/14	Ruru	X3

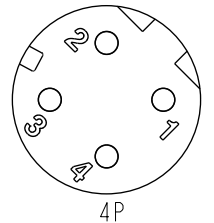


Recommended Panel Cut-Out



4	Black	黑
3	Blue	藍
2	White	白
1	Brown	棕

Pin # Wire
Pin Out



Pin Assignments Front View

MSDS-XXPMMC-SF8BXX

XX: No. Of Pin

- 10: 100mm
- 15: 150mm
- 20: 200mm
- 5
- 95: 950mm
- Cable Pitch Unit=50mm
- A0: 1000mm
- 5
- A5: 1500mm
- Cable Pitch Unit=100mm
- Wire Length (L): 150~1500 mm

Note:

- * RoHS Compliant
- * Important dimension
- * Waterproof rate: IPX8, unmated 1m/24h
- * Connector Housing: Thermoplastic, Black
- * Pin: Copper alloy, Gold plated
- * Shield: Metal
- * Nut: Metal
- * O-Ring: Rubber, Black
- * Wire harness: UL1061, 22AWG
- * For panel thickness max: 4.5mm
- * O-Ring and nut are assembled on connectors
- * Wire harness tolerance: 100mm: ±10mm
- 100mm < L ≤ 300mm: ±15mm
- 300mm < L ≤ 1000mm: ±20mm
- 1000mm < L ≤ 1500mm: ±50mm

UNIT:mm		
TOLERANCE	.X ±0.25	
	.XX ±0.1	
	.XXX ±0.05	
ANGLES	±1°	

TITLE N SEN, M12 D -SHLD, SCREW RECEPTACLE, M, M, FI/PANEL CRIMP			
SCALE 3:2	SIZE A4	SHEET 1 OF 1	
REV. E	WC-REV. A.1	Inspection item	

Amphenol LTW
安費諾亮泰企業股份有限公司

ITEM NO	DRAWN BY Vicky	DATE 2019-09-24
DWG NO MSDS-XXPMMC-SF8BXX	CHECKED BY Rita	DATE 2019-09-24
CUSTOMER ALTW	APPROVED BY Max	DATE 2019-09-24