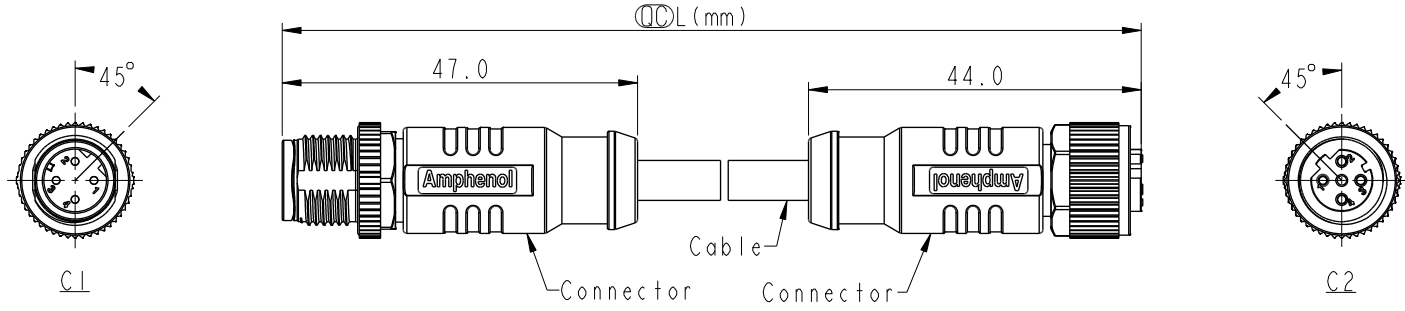
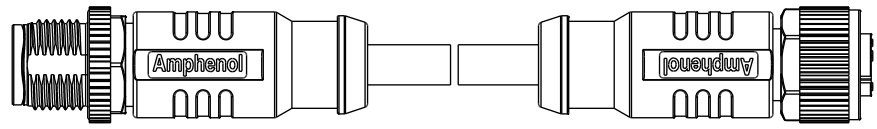


THIS DOCUMENT IS SUBJECT TO CHANGE WITHOUT NOTICE. IT IS CONFIDENTIAL AND A PROPERTY OF Amphenol LTW. DISCLOSURE TO THIRD PARTY HAS TO BE AUTHORIZED BY Amphenol LTW.

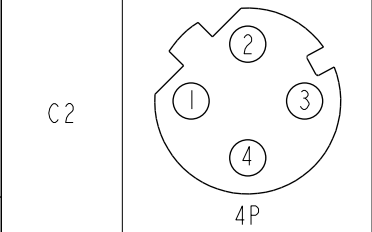
REV.	ECN NO.	DATE	SIGN	DESCRIPTION
A		2019/01/24	Brady	New Initial
B	C201786	2020/11/18	Ruru	$\triangle B$ X3
C	C210237	2021/03/29	Ruru	$\triangle C$ X2



Pin Out	Shield	Wire
5	--	黑
4	Black	藍
3	Blue	白
2	White	棕
1	Brown	



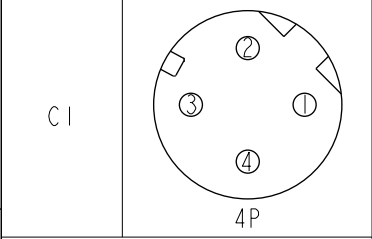
- Note:  $\triangle B$   $\triangle C$
- \* RoHS Compliant
  - \*  $\odot$  Important dimension
  - \* C1
    - Waterproof rate: IPX8, mated 1m/24h
    - Housing: Thermoplastic, Black
    - Pin: Copper alloy, Gold plated
    - Nut: Metal
    - Shield: Metal
    - Outer mold: Thermoplastic, Black
  - \* C2
    - Waterproof rate: IPX8, mated 1m/24h
    - Housing: Thermoplastic, Black
    - Pin: Copper alloy, Gold plated
    - O-Ring: Rubber, Gray
    - Nut: Metal
    - Shield: Metal
    - Outer mold: Thermoplastic, Black
  - \* Cable: UL20549, Shield, 22#\*4C+AL/MY+B, OD=5.3mm, PU Jacket, Black
  - \* Cable length tolerance:
    - 0.5M < L ≤ 1M: +60/-0 mm
    - 1M < L ≤ 3M: +120/-0 mm
    - 3M < L ≤ 5M: +160/-0 mm
    - 5M < L ≤ 10M: ±100 mm
    - 10M < L ≤ 20M: ±200 mm
    - 20M < L ≤ 30M: ±300 mm
    - 30M < L ≤ 99M: ±500 mm



$\triangle B$   
MSDSXXML-SDSFL-SBXXX

XX: No. Of Pin

XXX: 0.5~99Meters  
 A05: 0.5 Meter  
 1: 01 Meter  
 2: 02 Meters  
 :  
 99: 99 Meters



Pin Assignments Front View

UNIT:mm	
TOLERANCE	$\pm 0.5mm$

TITLE ACC, SEN, D Code, DB-ENDED MF $\triangle C$			
SCALE 1:1	SIZE A4	SHEET 1 OF 1	
REV. C	WC-REV. A	$\odot$ : Inspection item	

**Amphenol LTW**  
安費諾亮泰企業股份有限公司

ITEM NO.	DRAWN BY Brady	DATE 2019/01/24
DWG NO. $\triangle B$ MSDSXXML-SDSFL-SBXXX	CHECKED BY Eagle	DATE 2019/01/24
CUSTOMER ALTW	APPROVED BY Neo	DATE 2019/01/24