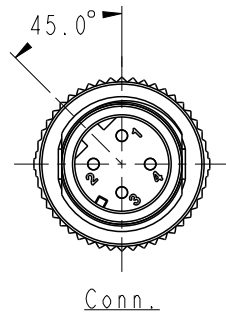
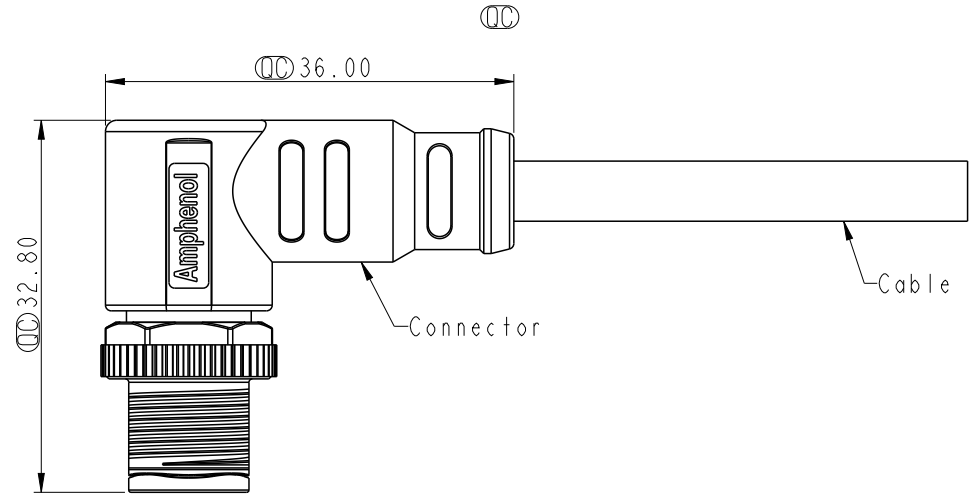
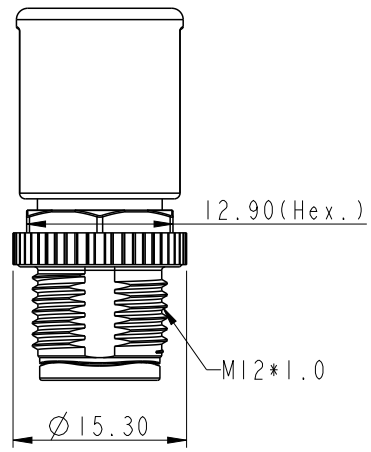


THIS DOCUMENT IS SUBJECT TO CHANGE WITHOUT NOTICE. IT IS CONFIDENTIAL AND A PROPERTY OF Amphenol LTW. DISCLOSURE TO THIRD PARTY HAS TO BE AUTHORIZED BY Amphenol LTW.

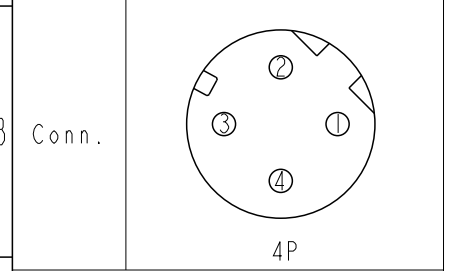
REV.	ECN NO.	DATE	SIGN	DESCRIPTION
A		2020/09/10	Eric	Initial Release
B	C210211	2021/03/22	Ruru	$\triangle B$ X2
C	C211583	2021/10/21	Scott	$\triangle C$ X1

MSDS-XXBMMM-SR8EXX
 $\triangle B$
 XX: No. Of Pin
 XX: 01~99Meters
 01: 01Meter
 02: 02Meters
 ...
 99: 99Meters



$\triangle B$ Note:
 * RoHS Compliant
 * CC Important dimension
 * Waterproof rate: IPX8, mated 1m/24h
 * Connector
 Housing: Thermoplastic, Black
 Pin: Copper alloy, Gold plated
 Nut: Metal
 Shield: Metal
 Outer mold: Thermoplastic, Black
 * Cable: CAT-5E, Shield, 22#*2P+AL/MY+D, OD=6.2, PU Jacket, Black
 * Cable length tolerance: 1M: +50/-0 mm
 1M < L ≤ 3M: +100/-0 mm
 3M < L ≤ 5M: +150/-0 mm
 5M < L ≤ 10M: ±100 mm
 10M < L ≤ 20M: ±200 mm
 20M < L ≤ 30M: ±300 mm
 30M < L ≤ 99M: ±500 mm

Pin Out	Shield	Braid	
4	Green	綠	Twist
3	White/Grene	白/綠	Twist
2	Orange	橘	Twist
1	White/Orange	白/橘	Twist
Pin #	Wire	(Cat5e)	



Pin Assignments Front View

UNIT:mm	CC	CC	TITLE
TOLERANCE			N SEN, M12 D -SHLD, SCREW CABLE W/O SR, M, M, MOLDING
±0.5mm	SCALE	SIZE	SHEET
	3:2	A4	1 OF 1
	REV.	WC-REV.	CC : Inspection item
	B	A.5	

Amphenol LTW
 安費諾亮泰企業股份有限公司

ITEM NO	DRAWN BY	DATE
	Eric	2020/09/10
DWG NO	CHECKED BY	DATE
MSDS-XXBMMM-SR8EXX	Brady	2020/09/10
CUSTOMER	APPROVED BY	DATE
ALTW	Neo	2020/09/10