

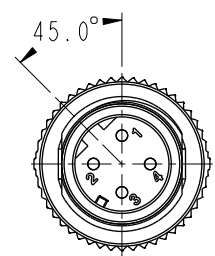
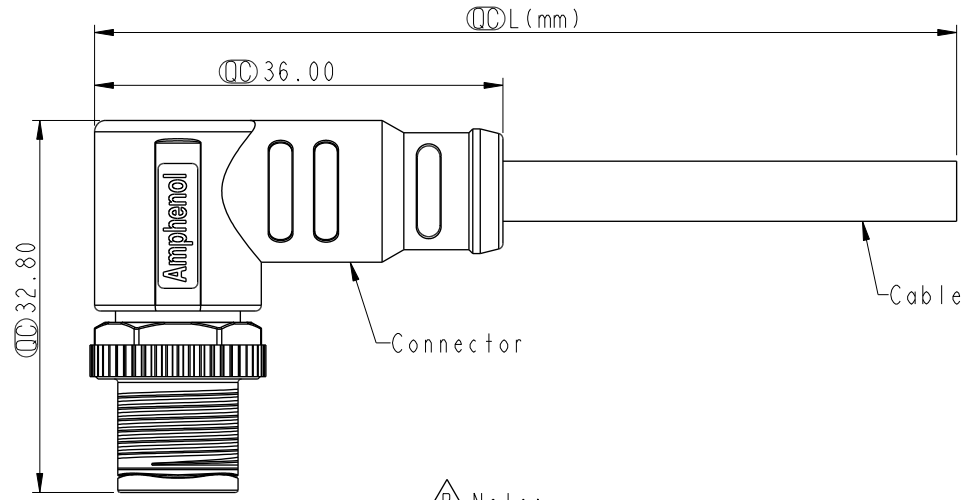
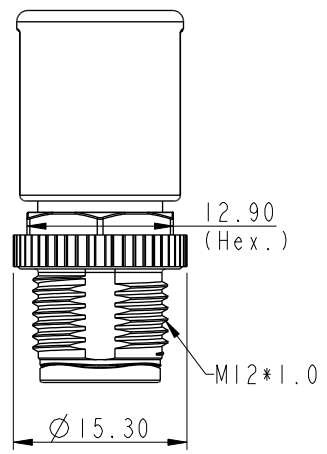
THIS DOCUMENT IS SUBJECT TO CHANGE WITHOUT NOTICE. IT IS CONFIDENTIAL AND A PROPERTY OF Amphenol LTW. DISCLOSURE TO THIRD PARTY HAS TO BE AUTHORIZED BY Amphenol LTW.

REV.	ECN NO.	DATE	SIGN	DESCRIPTION
A	Initial Released	2019/11/08	Brady	Initial Released.
B	C210211	2021/03/22	Ruru	$\triangle B$ X2

$\triangle B$   
MSDS-XXBMMM-SR8BXX

XX: No. Of Pin

XX: 01~99Meters  
01: 01Meter  
02: 02Meters  
...  
99: 99Meters

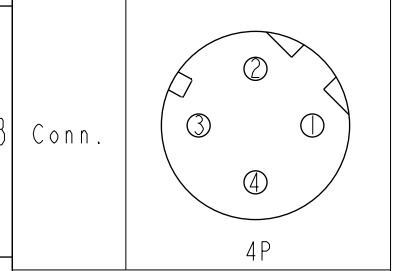


- $\triangle B$  Note:
- \* RoHS Compliant
  - \*  $\varnothing$  Important dimension
  - \* Waterproof rate: IPX8, mated 1m/24h
  - \* Connector
    - Housing: Thermoplastic, Black
    - Pin: Copper alloy, Gold plated
    - Nut: Metal
    - Shield: Metal
    - Outer mold: Thermoplastic, Black
  - \* Cable: UL20549, Shield, 22#\*4C+AL/MY+B, OD=5.3, PU Jacket, Black
  - \* Cable length tolerance:
    - 1M < L  $\leq$  3M: +100/-0 mm
    - 3M < L  $\leq$  5M: +150/-0 mm
    - 5M < L  $\leq$  10M:  $\pm$ 100 mm
    - 10M < L  $\leq$  20M:  $\pm$ 200 mm
    - 20M < L  $\leq$  30M:  $\pm$ 300 mm
    - 30M < L  $\leq$  99M:  $\pm$ 500 mm

Pin Out	Shield	Braid
4	Black	黑
3	Blue	藍
2	White	白
1	Brown	棕

Pin #	Wire
-------	------



Pin Assignments Front View

UNIT:mm	
TOLERANCE	$\pm 0.5$ mm

TITLE N SEN, M12 D -SHLD, SCREW CABLE W/O SR, M, M, MOLDING			
SCALE 3:2	SIZE A4	SHEET 1 OF 1	
REV. B	WC-REV. A.5	$\varnothing$ : Inspection item	

**Amphenol LTW**  
安費諾亮泰企業股份有限公司

ITEM NO	DRAWN BY Brady Chung	DATE 2019/11/08
DWG NO MSDS-XXBMMM-SR8BXX	CHECKED BY Jane Wang	DATE 2019/11/08
CUSTOMER ALTW	APPROVED BY Neo Tsai	DATE 2019/11/08