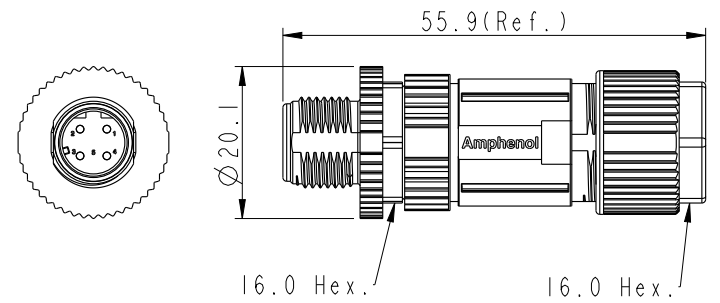
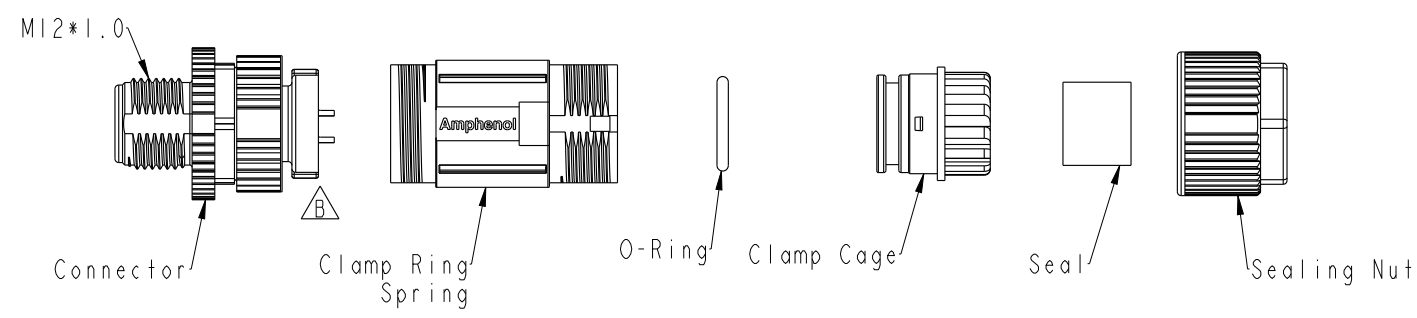
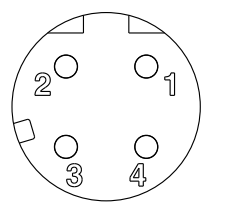


THIS DOCUMENT IS SUBJECT TO CHANGE WITHOUT NOTICE. IT IS CONFIDENTIAL AND A PROPERTY OF Amphenol LTW. DISCLOSURE TO THIRD PARTY HAS TO BE AUTHORIZED BY Amphenol LTW.

REV.	ECN NO.	DATE	SIGN	DESCRIPTION
B	C200793	2020-06-03	JC Chen	△BXI



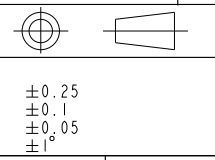
- Note:
- * Important Dimension To Check.
 - * Waterproof Rate: IP67
 - * Housing: Thermoplastic, Black.
 - * Clamp Cage: Thermoplastic, Black.
 - * Pin: Copper Alloy, Gold Plated.
 - * Nut: Matel.
 - * O-Ring: Rubber, Grey.
 - * Clamp Ring: Matel.
 - * Sealing Nut: Matel.
 - * Seal: Rubber, Grey.
 - * Seal For Cable OD: $\varnothing 4.0\text{mm} \sim \varnothing 7.5\text{mm}$
 - * Applicable Wire gauge (Stranded wire cross section) 26AWG ~24AWG
 - * Mating Recommended tightening torque: 3~4 kgf.cm / 0.29~0.39 N.m
 - * Sealing-Nut Recommended tightening torque: 4~6 kgf.cm / 0.39~0.59 N.m
 - * Detailed applicable wire specifications may vary depending on the actual wire construction.



Pin Assignments
Front View

UNIT:mm

TOLERANCE	
.X	±0.25
.XX	±0.1
.XXX	±0.05
ANGLES	±1°



TITLE M12D Shielded Assy M Conn. M Pin			
SCALE	1:1	SIZE	A4
REV.	B	WC-REV.	A.5
		Inspection item	

Amphenol LTW
安費諾亮泰企業股份有限公司

ITEM NO.	MSDS-04BMMA-SL7001	DRAWN BY	JC Chen	DATE	2020-04-18
DWG NO.	MSDS-04BMMA-SL7001	CHECKED BY	Li Feng	DATE	2020-04-18
CUSTOMER	ALTW	APPROVED BY	Jerry	DATE	2020-04-18