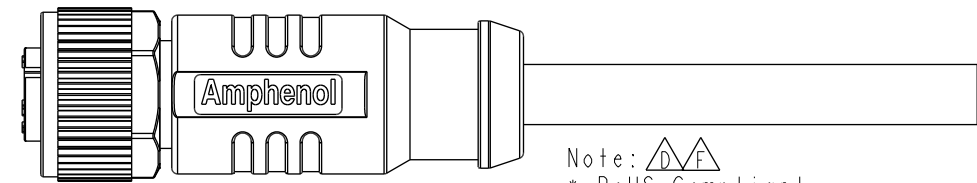
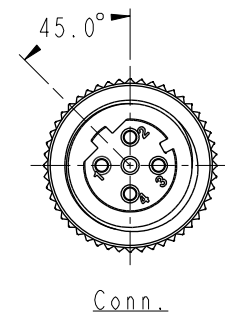
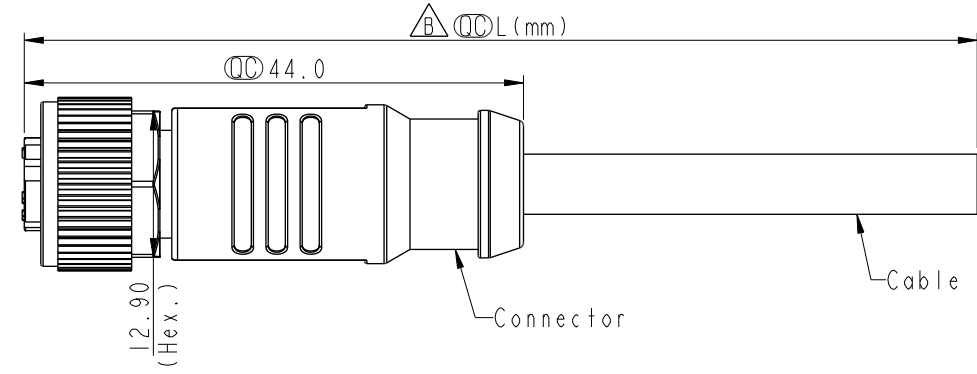


THIS DOCUMENT IS SUBJECT TO CHANGE WITHOUT NOTICE. IT IS CONFIDENTIAL AND A PROPERTY OF Amphenol LTW. DISCLOSURE TO THIRD PARTY HAS TO BE AUTHORIZED BY Amphenol LTW.

REV.	ECN NO.	DATE	SIGN	DESCRIPTION
D	C201548	2020/10/13	Vicky	$\triangle D$ X4
E	C210084	2021/01/18	Vicky	$\triangle E$ X1
F	C210211	2021/03/22	Ruru	$\triangle F$ X2

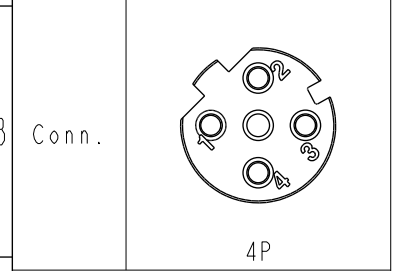
$\triangle D$
MSDS-XXBFFM-SL8DXX
XX: No. Of Pin

XX: 01~99Meters
01: 01Meter
02: 02Meters
:
99: 99Meters



- Note: $\triangle D$ $\triangle F$
- * RoHS Compliant
 - * $\triangle C$ Important dimension
 - * Waterproof rate: IPX8, mated 1m/24h
 - * Connector
 - Housing: Thermoplastic, Black
 - Pin: Copper alloy, Gold plated
 - O-Ring: Rubber, Gray
 - $\triangle E$ Nut: Metal
 - Shield: Metal
 - Outer mold: Thermoplastic, Black
 - * Cable: UL2517, Shield, 22#*4C+AL/MY+B, OD=5.3, PVC Jacket, Black
 - * Cable length tolerance:
 - 1M < L ≤ 3M: +100/-0 mm
 - 3M < L ≤ 5M: +150/-0 mm
 - 5M < L ≤ 10M: ±100 mm
 - 10M < L ≤ 20M: ±200 mm
 - 20M < L ≤ 30M: ±300 mm
 - 30M < L ≤ 99M: ±500 mm

Pin Out	Shield	Braid
4	Black	黑
3	Blue	藍
2	White	白
1	Brown	棕
Pin #	Wire	



Pin Assignments Front View

UNIT:mm	
TOLERANCE	±0.5mm

TITLE N SEN, M12 D -SHLD, SCREW CABLE W/O SR, F, F, MOLDING $\triangle F$			
SCALE 3:2	SIZE A4	SHEET 1 OF 1	
REV. F	WC-REV. A.3	$\triangle C$: Inspection item	

Amphenol LTW
安費諾亮泰企業股份有限公司

ITEM NO	DRAWN BY Brady	DATE 2019/03/05
DWG NO $\triangle D$ MSDS-XXBFFM-SL8DXX	CHECKED BY Eagle	DATE 2019/03/05
CUSTOMER ALTW	APPROVED BY Neo	DATE 2019/03/05