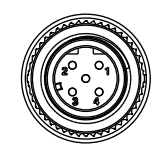
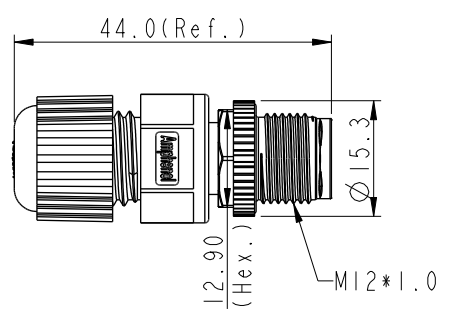
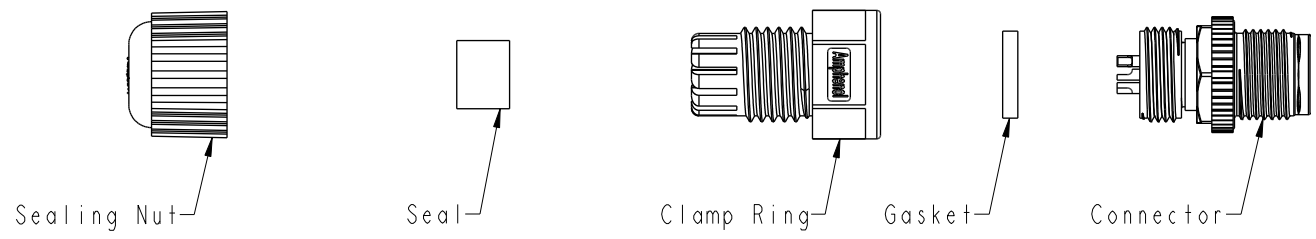


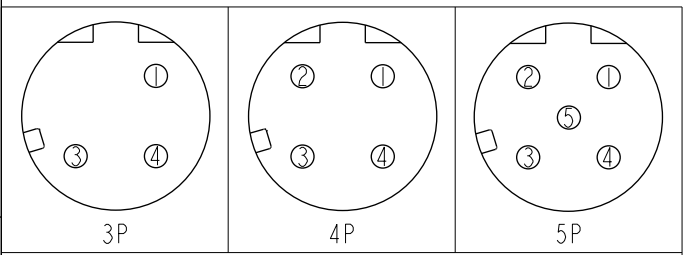
THIS DOCUMENT IS SUBJECT TO CHANGE WITHOUT NOTICE. IT IS CONFIDENTIAL AND A PROPERTY OF AMPHENOL LTW. DISCLOSURE TO THIRD PARTY HAS TO BE AUTHORIZED BY AMPHENOL LTW.

REV.	ECN NO.	DATE	SIGN	DESCRIPTION
B	C210561	2021/04/19	Vicky	$\triangle B$ X3



$\triangle B$ MSDP-XXBMM-A-SL8001
 XX: No. Of Pin

- $\triangle B$ Note:
- * RoHS Compliant
 - * CC Important Dimension
 - * Waterproof rate: IPX8, mated 1m/24h
 - * Connector
 - Housing: Thermoplastic, Black
 - Pin: Copper alloy, Gold plated
 - Extension Nut: Thermoplastic, Black
 - Nut: Thermoplastic, Black
 - * Gasket: Rubber, Gray
 - * Clamp Ring: Thermoplastic, Black
 - * Sealing Nut: Thermoplastic, Black
 - * Seal: Rubber, Gray, OD: $\phi 4.5\text{mm} - \phi 6.5\text{mm}$
 - * One set unassembled in one pe bag



UNIT: mm			TITLE N SEN, M12 D -PLASTIC, SCREW CABLE W/O SR, M, M, FI SOLDER
TOLERANCE .X ± 0.25 .XX ± 0.1 .XXX ± 0.05 ANGLES $\pm 1^\circ$	$\triangle B$	SCALE 1:1	SIZE A4
		REV. B	WC-REV. A.5
			CC : Inspection item

Amphenol LTW
 安費諾亮泰企業股份有限公司

ITEM NO	DRAWN BY JC Chen	DATE 2019-08-28
DWG NO MSDP-XXBMM-A-SL8001	CHECKED BY Li Feng	DATE 2019-08-28
CUSTOMER ALTW	APPROVED BY Jerry	DATE 2019-08-28