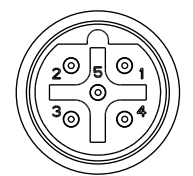
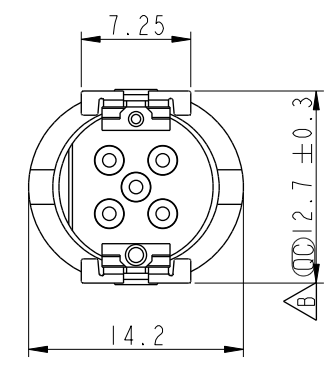
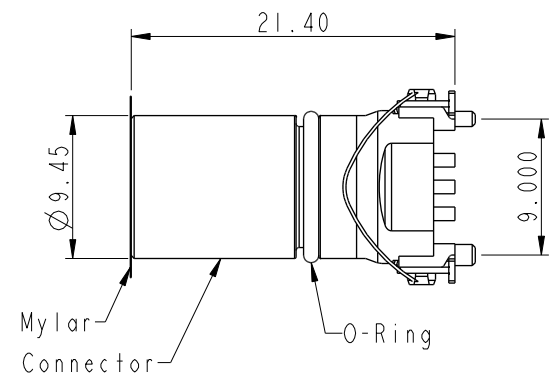


THIS DOCUMENT IS SUBJECT TO CHANGE WITHOUT NOTICE. IT IS CONFIDENTIAL AND A PROPERTY OF AMPHENOL LTW. DISCLOSURE TO THIRD PARTY HAS TO BE AUTHORIZED BY AMPHENOL LTW.

REV.	ECN NO.	DATE	SIGN	DESCRIPTION
A		2020-07-14	Allen Pan	Rev.01 To Rev.A
B	C210309	2021-03-11	Ruru	$\triangle B$ X5

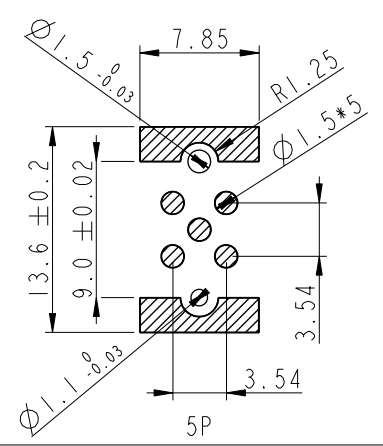
$\triangle B$
MSBS-XXPMMT-EE0001

XX: No. Of Pin



5P

Pin Assignment
Front View



5P

PCB Layout

- $\triangle B$ Note:
- * RoHS Compliant
 - * CC Important dimension
 - * Waterproof rate: Non-Waterproof
 - * Connector
 - Housing: Thermoplastic, Black
 - Pin: Copper Alloy, Gold Plated
 - * O-Ring: Rubber, Gray
 - * Mylar: PI, Amber

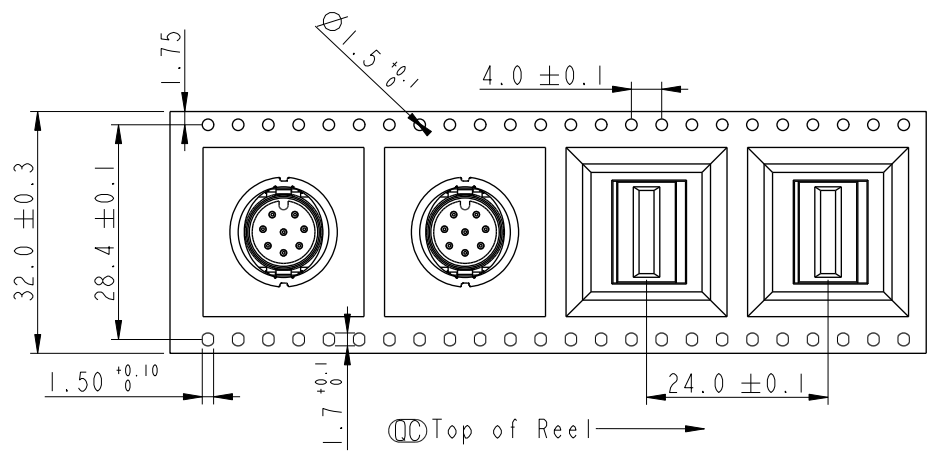
UNIT: mm		
TOLERANCE		
.X	±0.25	
.XX	±0.1	
.XXX	±0.05	
ANGLES	±1°	

TITLE N SEN, M12 B -SHLD, NONE RECEPTACLE, M, M, PCB SMT $\triangle B$			
SCALE 2:1	SIZE A4	SHEET 1 OF 3	
REV. B	WC-REV. A.1	CC : Inspection item	

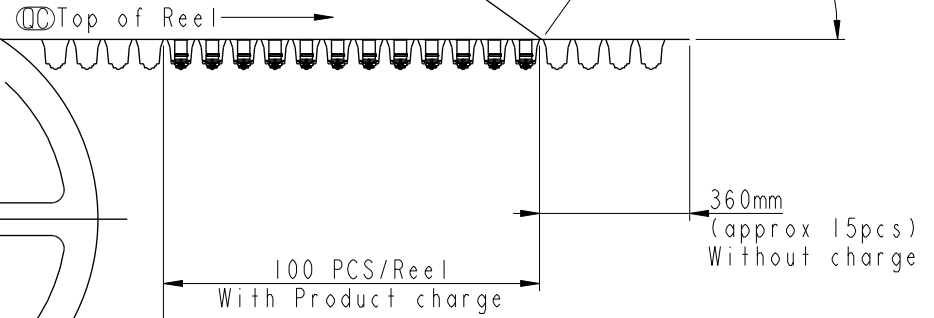
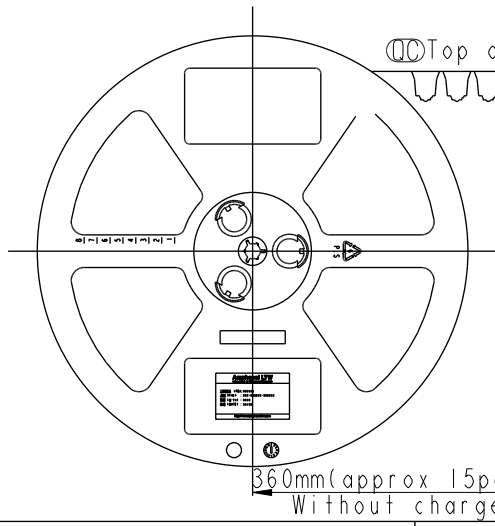
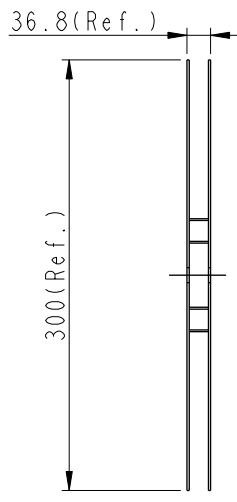
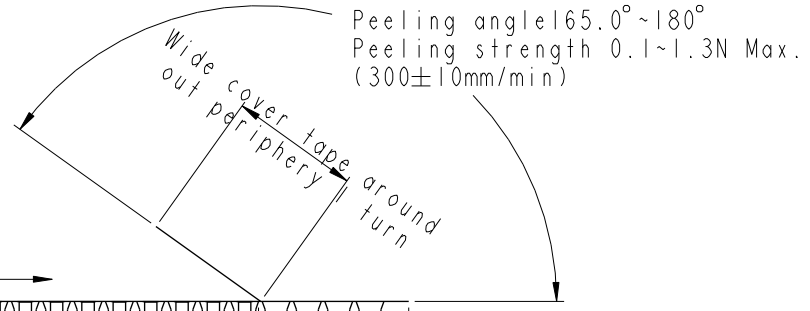
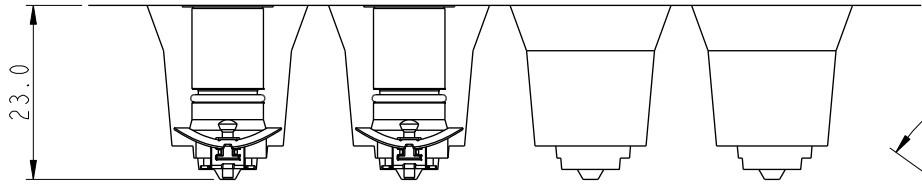
Amphenol LTW
安費諾亮泰企業股份有限公司

ITEM NO.	DRAWN BY Allen Pan	DATE 2020-07-14
DWG NO. MSBS-XXPMMT-EE0001	CHECKED BY Sam Ho	DATE 2020-07-14
CUSTOMER ALTW	APPROVED BY Fred Lee	DATE 2020-07-14

THIS DOCUMENT IS SUBJECT TO CHANGE WITHOUT NOTICE. IT IS CONFIDENTIAL AND A PROPERTY OF AMPHENOL LTW. DISCLOSURE TO THIRD PARTY HAS TO BE AUTHORIZED BY AMPHENOL LTW.



Note :
 Ⓞ* Connector Orientat follow Drawing



UNIT: mm		
TOLERANCE	.X ±0.25	
	.XX ±0.1	
	.XXX ±0.05	
ANGLES	±1°	

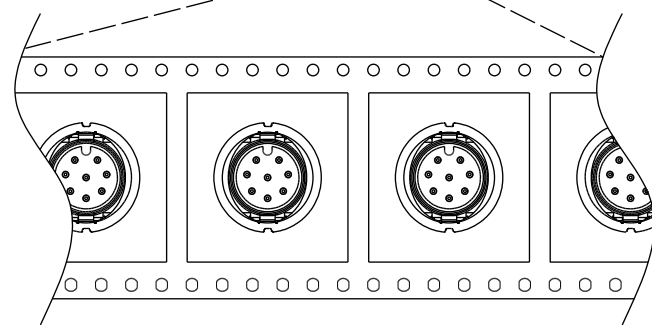
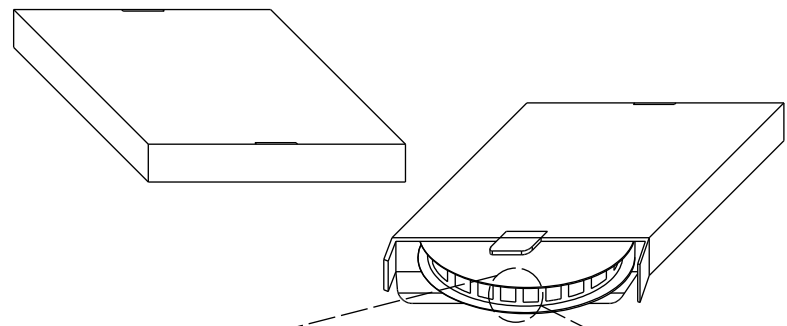
TITLE N SEN, M12 B -SHLD, NONE RECEPTACLE, M, M, PCB SMT			
SCALE	FREE	SIZE	A4
SHEET	2	OF	3
REV.	B	WC-REV.	A.1
Ⓞ: Inspection item			

Amphenol LTW
 安費諾亮泰企業股份有限公司

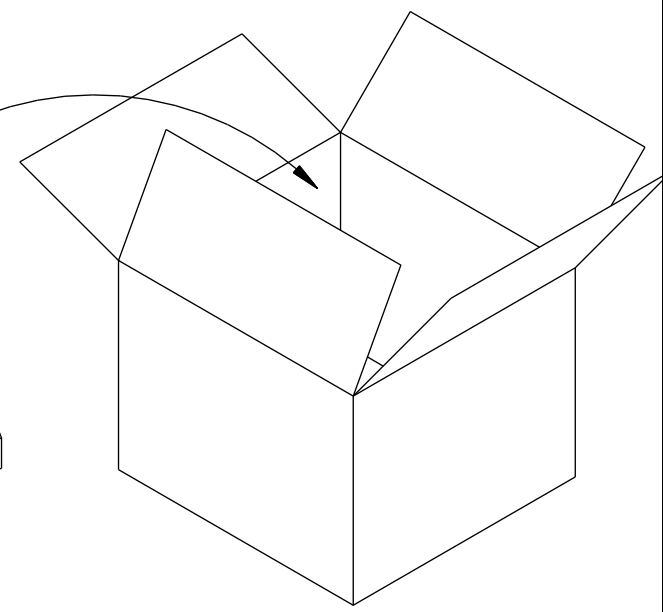
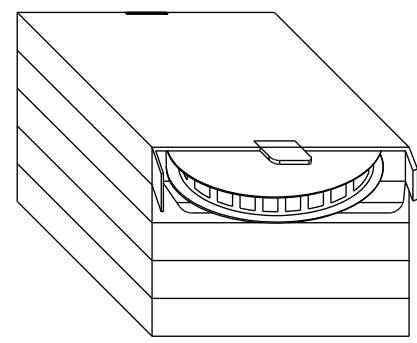
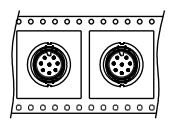
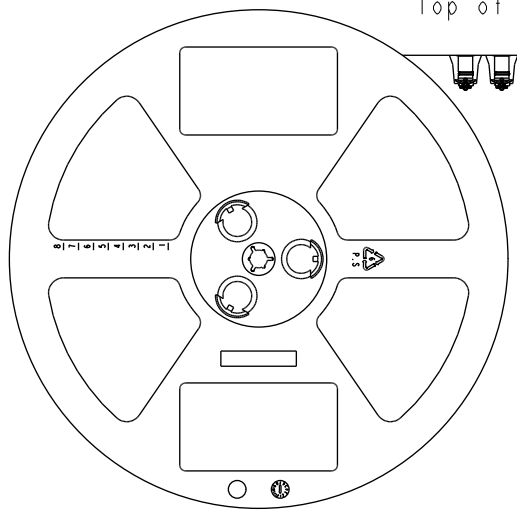
ITEM NO	DWG NO	CUSTOMER	DRAWN BY	CHECKED BY	APPROVED BY
	MSBS-XXPMMT-EE0001	ALTW	Allen Pan	Sam Ho	Fred Lee

DATE	2020-07-14
DATE	2020-07-14
DATE	2020-07-14

THIS DOCUMENT IS SUBJECT TO CHANGE WITHOUT NOTICE. IT IS CONFIDENTIAL AND A PROPERTY OF Amphenol LTW. DISCLOSURE TO THIRD PARTY HAS TO BE AUTHORIZED BY Amphenol LTW.



Top of Reel →



Note:
 100 PCS(Connector)/Tape&Reel Put in a Box
 5PCS(Max.) Box Put in a Carton

UNIT: mm	
TOLERANCE	
.X	±0.25
.XX	±0.1
.XXX	±0.05
ANGLES	±1°

TITLE N SEN, M12 B -SHLD, NONE RECEPTACLE, M, M, PCB SMT			
SCALE	SIZE	SHEET	OF
FREE	A4	3	3
REV.	WC-REV.	QC: Inspection item	
B	A.1		

Amphenol LTW
 安費諾亮泰企業股份有限公司

ITEM NO	DRAWN BY	DATE
	Allen Pan	2020-07-14
DWG NO	CHECKED BY	DATE
MSBS-XXPMMT-EE0001	Sam Ho	2020-07-14
CUSTOMER	APPROVED BY	DATE
ALTW	Fred Lee	2020-07-14

DATE	2020-07-14
DATE	2020-07-14
DATE	2020-07-14