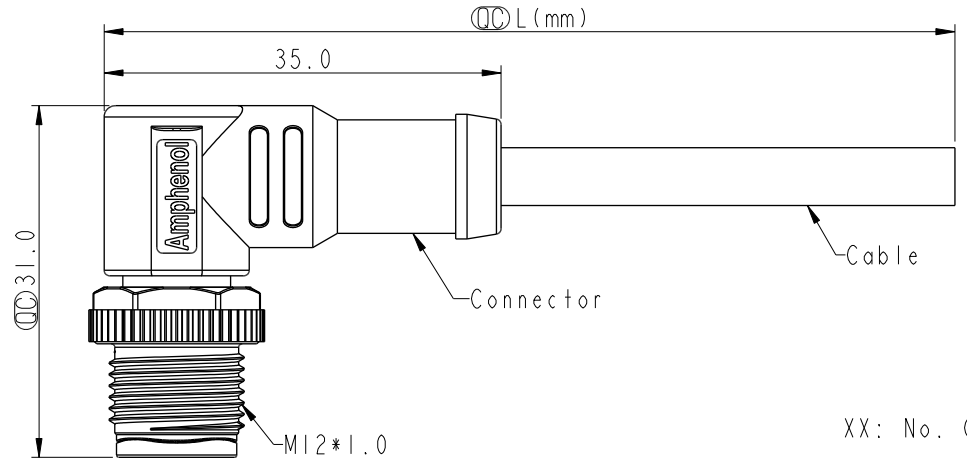
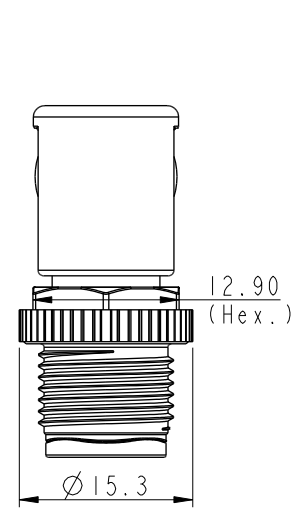


THIS DOCUMENT IS SUBJECT TO CHANGE WITHOUT NOTICE. IT IS CONFIDENTIAL AND A PROPERTY OF Amphenol LTW. DISCLOSURE TO THIRD PARTY HAS TO BE AUTHORIZED BY Amphenol LTW.

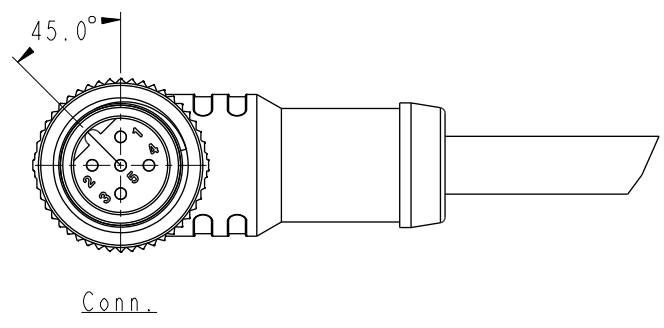
| REV. | ECN NO. | DATE | SIGN | DESCRIPTION |
|------|---------|------------|-------|------------------------------|
| C | C190180 | 2019/01/21 | Ruru | Modify The Waterproof Rating |
| D | C201524 | 2020/10/05 | Vicky | $\triangle D$ X4 |
| E | C210211 | 2021/03/18 | Ruru | $\triangle E$ X2 |



$\triangle D$
MSBP-XXBMMM-SR8DXX

XX: No. Of Pin

XX: 01~99Meters
01: 01Meter
02: 02Meters
:
99: 99Meters

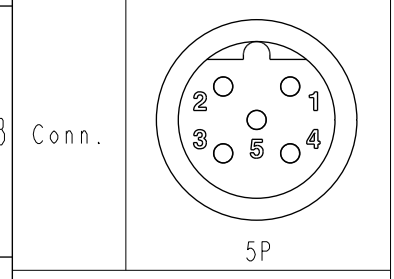


Conn.

Note: $\triangle D$ $\triangle E$

- * RoHS Compliant
- * ϕ Important dimension
- * $\triangle C$ Waterproof rate: IPX8, mated 1m/24h
IPX9K, mated
- * Connector
 - Housing: Thermoplastic, Black
 - Pin: Copper alloy, Gold plated
 - Nut: Thermoplastic, Black
 - Outer mold: Thermoplastic, Black
- * Cable: UL2517, 22#*5C, OD=5.1mm, PVC Jacket, Black
- * Cable length tolerance:
 - 1M < L ≤ 3M: +100/-0 mm
 - 3M < L ≤ 5M: +150/-0 mm
 - 5M < L ≤ 10M: ±100 mm
 - 10M < L ≤ 20M: ±200 mm
 - 20M < L ≤ 30M: ±300 mm
 - 30M < L ≤ 99M: ±500 mm

| Pin Out | Color | Wire |
|---------|-------|------|
| 5 | Gray | 灰 |
| 4 | Black | 黑 |
| 3 | Blue | 藍 |
| 2 | White | 白 |
| 1 | Brown | 棕 |



Pin Assignments Front View

| | |
|-----------|--------|
| UNIT:mm | |
| TOLERANCE | ±0.5mm |

| | | | |
|--|----------------|--------------------------|--|
| TITLE N SEN, M12 B -PLASTIC, SCREW CABLE W/O SR, M, M, MOLDING $\triangle E$ | | | |
| SCALE 3:2 | SIZE A4 | SHEET 1 OF 1 | |
| REV. E | WC-REV. A.2 | ϕ : Inspection item | |

Amphenol LTW
安費諾亮泰企業股份有限公司

| | | |
|--|--------------------|--------------------|
| ITEM NO | DRAWN BY Ruru | DATE 2019-01-21 |
| DWG NO $\triangle D$ MSBP-XXBMMM-SR8DXX | CHECKED BY Rita | DATE 2019-01-21 |
| CUSTOMER ALTW | APPROVED BY Max | DATE 2019-01-21 |