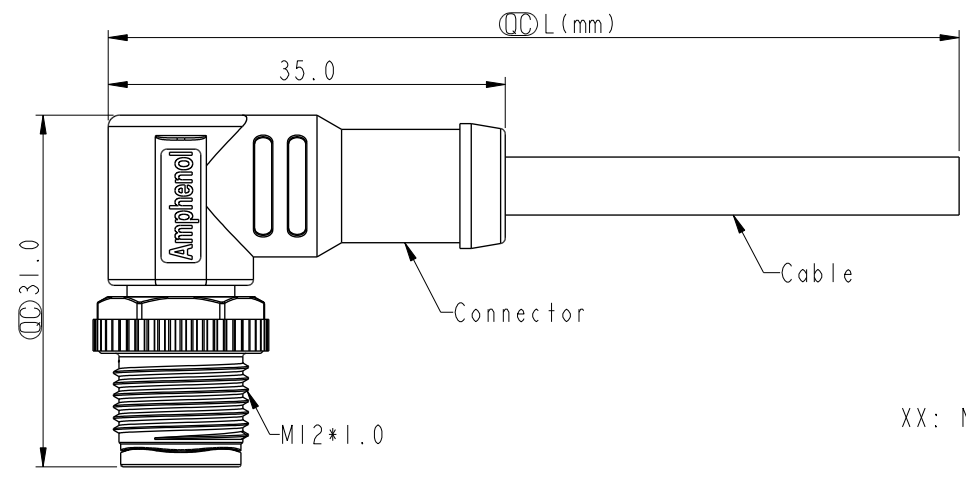


THIS DOCUMENT IS SUBJECT TO CHANGE WITHOUT NOTICE. IT IS CONFIDENTIAL AND A PROPERTY OF Amphenol LTW. DISCLOSURE TO THIRD PARTY HAS TO BE AUTHORIZED BY Amphenol LTW.

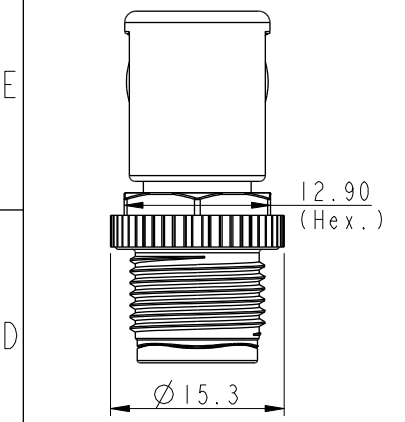
REV.	ECN NO.	DATE	SIGN	DESCRIPTION
C	C190180	2019/01/21	Ruru	Modify The Waterproof Rating
D	C201524	2020/10/05	Vicky	$\triangle D$ X4
E	C210211	2021/03/18	Ruru	$\triangle E$ X2



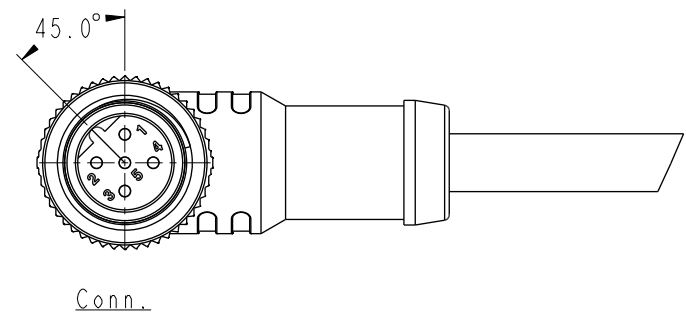
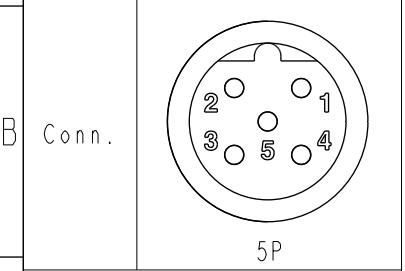
$\triangle D$
MSBP-XXBMMM-SR8BXX

XX: No. Of Pin

XX:01~99Meters
01:01Meter
02:02Meters
:
99:99Meters



Pin Out	Color	Color
5	Gray	灰
4	Black	黑
3	Blue	藍
2	White	白
1	Brown	棕



- Note: $\triangle D$ $\triangle E$
- * RoHS Compliant
 - * ⌀ Important dimension
 - * $\triangle A$ Waterproof rate: IPX8, mated 1m/24h
IPX9K, mated
 - * Connector
 - Housing: Thermoplastic, Black
 - Pin: Copper alloy, Gold plated
 - Nut: Thermoplastic, Black
 - Outer mold: Thermoplastic, Black
 - * Cable: UL20549, 22#*5C, OD=4.4mm, PUR Jacket, Black
 - * Cable length tolerance:
 - 1M < L ≤ 3M: +100/-0 mm
 - 3M < L ≤ 5M: +150/-0 mm
 - 5M < L ≤ 10M: ±100 mm
 - 10M < L ≤ 20M: ±200 mm
 - 20M < L ≤ 30M: ±300 mm
 - 30M < L ≤ 99M: ±500 mm

UNIT:mm		
TOLERANCE	±0.5mm	

TITLE N SEN, M12 B -PLASTIC, SCREW CABLE W/O SR, M, M, MOLDING $\triangle A$		
SCALE 3:2	SIZE A4	SHEET 1 OF 1
REV. E	WC-REV. A.2	⌀ : Inspection item

Amphenol LTW
安費諾亮泰企業股份有限公司

ITEM NO	DRAWN BY Ruru	DATE 2019-01-21
DWG NO $\triangle A$ MSBP-XXBMMM-SR8BXX	CHECKED BY Rita	DATE 2019-01-21
CUSTOMER ALTW	APPROVED BY Max	DATE 2019-01-21